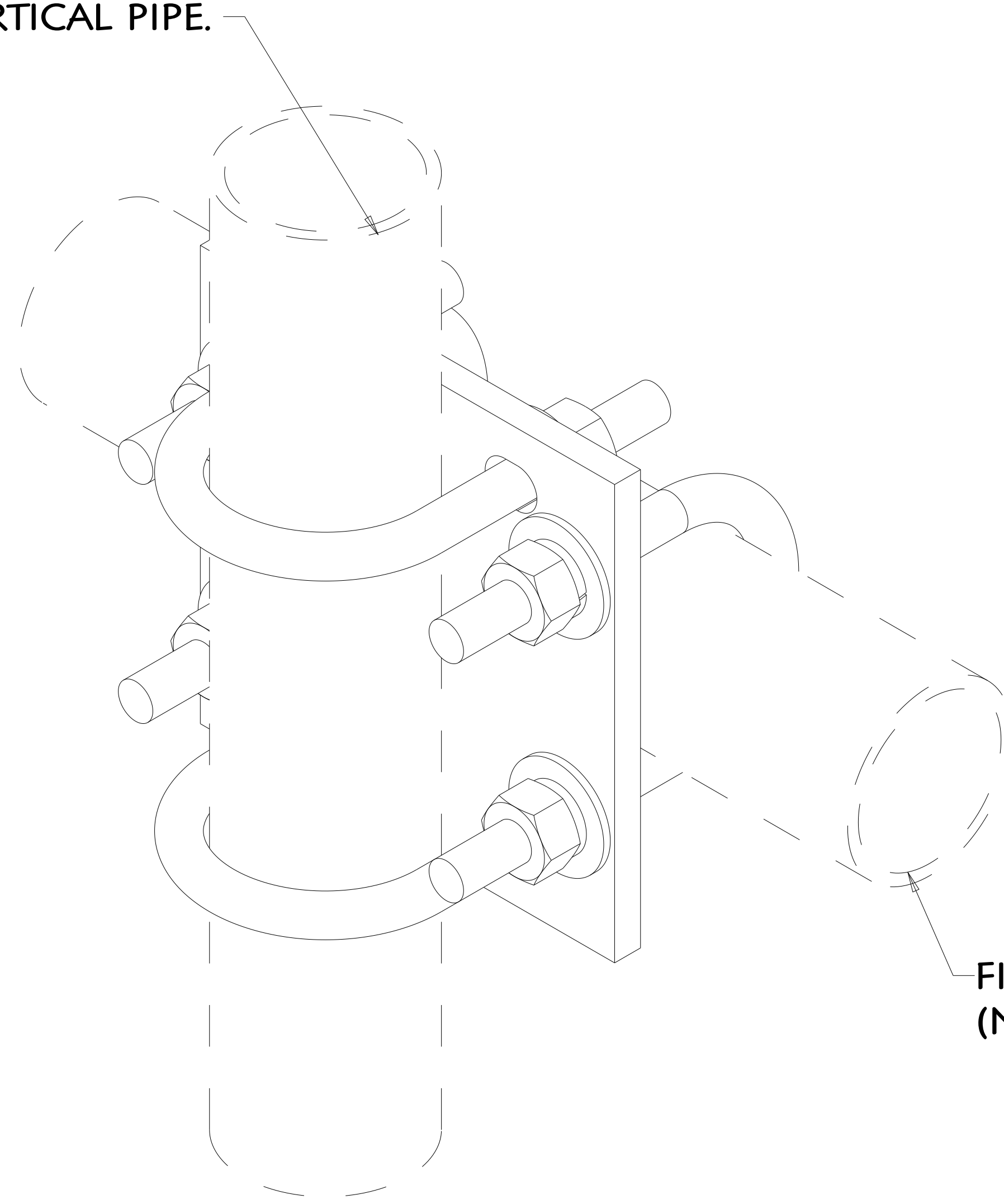


REVISION HISTORY			
REV	DESCRIPTION	DATE	APPROVED
A	INITIAL RELEASE	X	X

FITS 2.375" O.D. AND 2.875" O.D. VERTICAL PIPE.  
(NOT INCLUDED IN THIS KIT)



FITS 2.375" O.D. AND 2.875" O.D. HORIZONTAL PIPE.  
(NOT INCLUDED IN THIS KIT)

VZWSMART-MSK1 (CROSSOVER PLATE)					
ITEM NO.	QTY.	PART NO.	DESCRIPTION	SHEET #	WT
1	1	PL375-857	PL 3/8" X 8 1/2" X 0'-7" A36	MSK1-F1	
2	4	M502-625-300-500	RU-BOLT 5/8" X 3" I.W. X 5" I.L. A36 (OR EQUIV.)	RBC-1	
3	8	FW-625	5/8" HDG USS FLAT WASHER	---	
4	8	LW-625	5/8" HDG LOCK WASHER	---	
5	8	NUT-625	5/8" HDG HEX NUT	---	
GALVANIZED WT					

NOTES:  
1. HOT-DIPPED GALVANIZED PER ASTM A123.

THIRD ANGLE PROJECTION			METROSITE FABRICATORS LLC 180 INDUSTRIAL PARK BLVD. COMMERCE GA 30529
CONFIDENTIAL ALL INFORMATION ON THIS DOCUMENT IS PROPERTY OF METROSITE FABRICATORS LLC			
UNLESS OTHERWISE SPECIFIED DIMENSIONS ARE IN INCHES AND INCLUDE FINISH		TITLE <b>CROSSOVER PLATE</b>	
STANDARD SHEET TOLERANCES DECIMALS .X ± 0.1 .XX ± 0.02 .XXX ± 0.005		APPROVAL / SIGNATURES DATE DRAWN BY XXX May-26-20 REVIEWED XXX May-26-20 APPROVED XXX May-26-20	
		SIZE DWG NO <b>D</b>	SHEET 1 OF 1 <b>MSK1</b>
		SCALDRAWING SCALE	