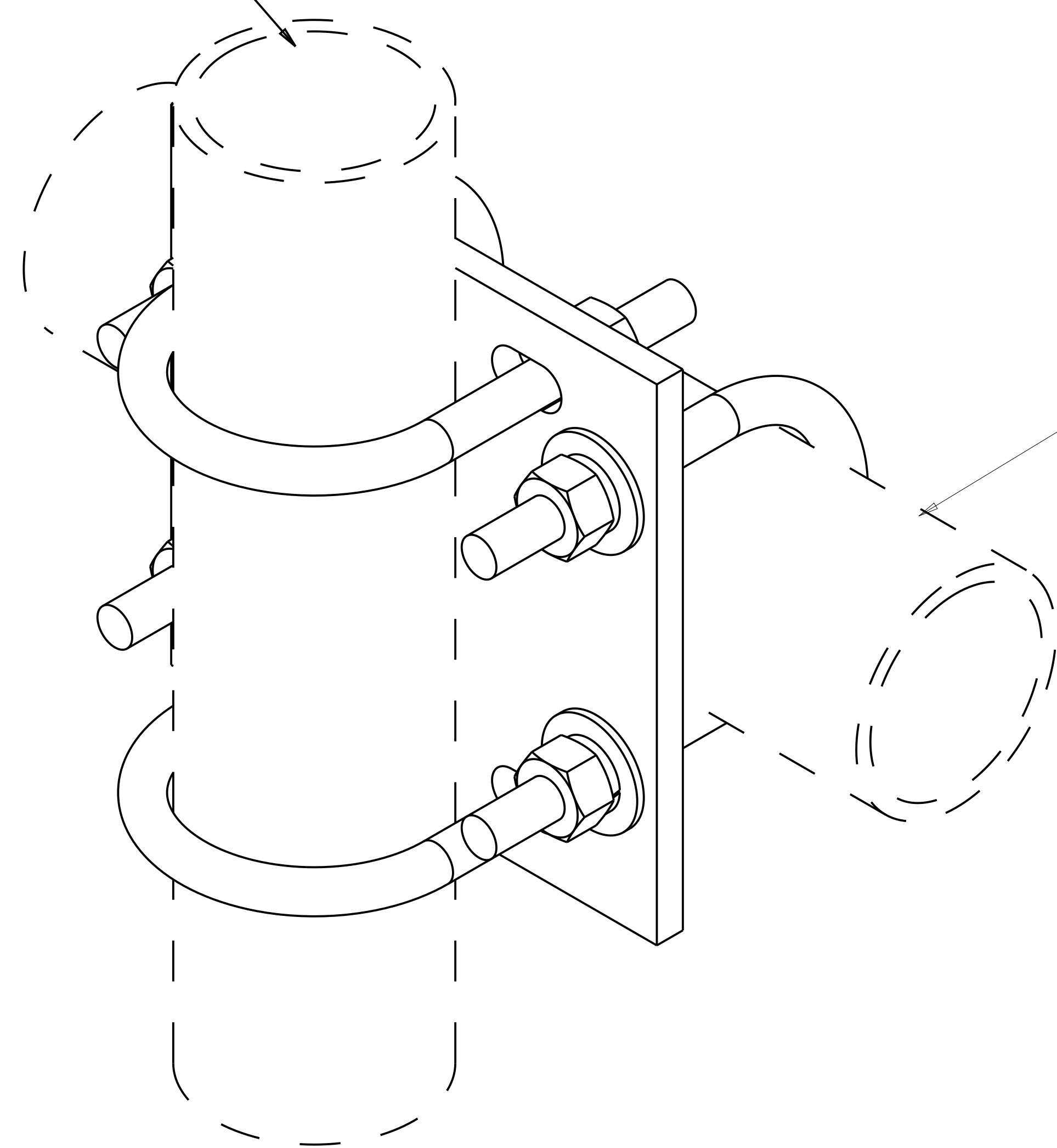


REVISION HISTORY			
REV	DESCRIPTION	DATE	APPROVED
A	INITIAL RELEASE	X	X

FITS 2.375" O.D. AND 2.875" O.D. VERTICAL PIPE.
(NOT INCLUDED IN THIS KIT)



FITS 3.5" O.D. AND 4" O.D. HORIZONTAL PIPE.
(NOT INCLUDED IN THIS KIT)

VZWSMART-MSK2 (CROSSOVER PLATE)					
ITEM NO.	QTY.	PART NO.	DESCRIPTION	SHEET #	WT
1	1	PL375-88758	PL 3/8" X 8 7/8" X 0'-8" A36	MSK2-F1	
2	2	MSO2-625-4125-600	RU-BOLT 5/8" X 4 1/8" I.W. X 6" I.L. A36 (OR EQUIV.)	RBC-1	
3	2	MSO2-625-300-500	RU-BOLT 5/8" X 3" I.W. X 5" I.L. A36 (OR EQUIV.)	RBC-1	
4	8	FW-625	5/8" HDG USS FLAT WASHER	---	
5	8	LW-625	5/8" HDG LOCK WASHER	---	
6	8	NUT-625	5/8" HDG HEX NUT	---	
GALVANIZED WT					

NOTES:
1. HOT-DIPPED GALVANIZED PER ASTM A123.

THIRD ANGLE PROJECTION			METROSITE FABRICATORS LLC 180 INDUSTRIAL PARK BLVD. COMMERCE GA 30529
UNLESS OTHERWISE SPECIFIED DIMENSIONS ARE IN INCHES AND INCLUDE FINISH		CONFIDENTIAL ALL INFORMATION ON THIS DOCUMENT IS PROPERTY OF METROSITE FABRICATORS LLC	
STANDARD SHEET TOLERANCES DECIMALS .X ± 0.1 .XX ± 0.02 .XXX ± 0.005			
ANGLES ± 1° FRACTIONS ± 1/32		TITLE <h3 style="text-align: center;">CROSSOVER KIT</h3>	
APPROVAL / SIGNATURES DATE		SIZE DWG NO.	
DRAWN BY XXX REVIEWED XXX APPROVED XXX	May-26-20 May-26-20 May-26-20	D	MSK2
SCALE 1:000		SHEET 1 OF 1	