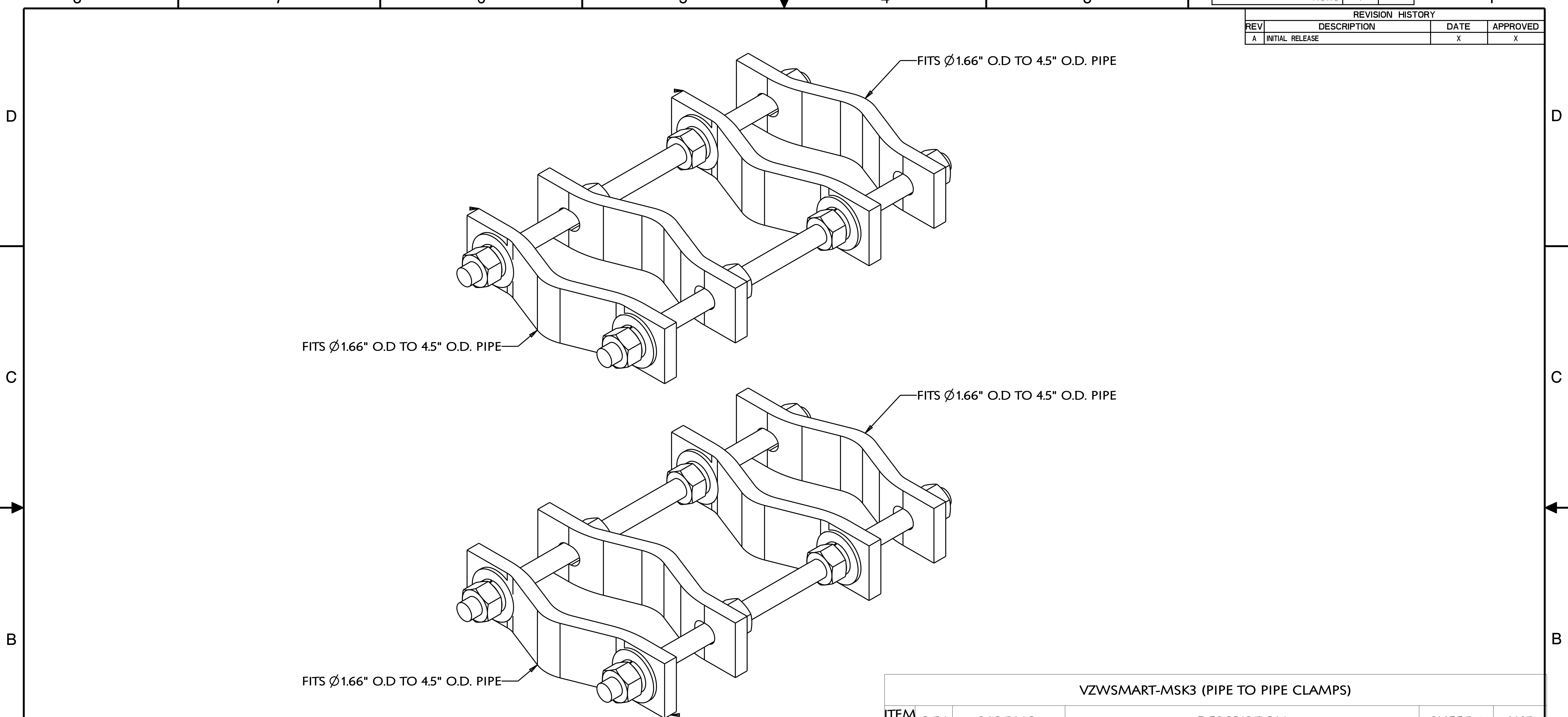


REVISION HISTORY			
REV	DESCRIPTION	DATE	APPROVED
A	INITIAL RELEASE	X	X



**VZWSMART-MSK3
PIPE TO PIPE CLAMPS**

VZWSMART-MSK3 (PIPE TO PIPE CLAMPS)					
ITEM NO.	QTY.	PART NO.	DESCRIPTION	SHEET #	WT
1	8	VCP	PL 1/2" X 2" X 8 5/8" A36 BENT PLATE	MSK3-F1	
2	4	---	THREADED ROD 5/8" DIA. X 1'-0" F1554-36 HDG	---	---
3	16	FW-625	5/8" HDG USS FLAT WASHER	---	
4	16	LW-625	5/8" HDG LOCK WASHER	---	
5	16	NUT-625	5/8" HDG HEX NUT	---	
GALVANIZED WT					

NOTES:
 1. HOT-DIPPED GALVANIZED PER ASTM A123.
 2. FITS UP TO 4 1/2" O.D. PIPE

THIRD ANGLE PROJECTION			METROSITE FABRICATORS LLC 180 INDUSTRIAL PARK BLVD. COMMERCE GA 30529
CONFIDENTIAL ALL INFORMATION ON THIS DOCUMENT IS PROPERTY OF METROSITE FABRICATORS LLC			
UNLESS OTHERWISE SPECIFIED DIMENSIONS ARE IN INCHES AND INCLUDE FINISH		TITLE <h3 style="text-align: center;">PIPE TO PIPE CLAMP</h3>	
STANDARD SHEET TOLERANCES DECIMALS .X ± 0.1 .XX ± 0.02 .XXX ± 0.005		APPROVAL / SIGNATURES DATE May-26-20	
ANGLES ± 1° FRACTIONS ± 1/32		SIZE DWG NO <h2 style="text-align: center;">MSK3</h2>	
DRAWN BY XXX REVIEWED XXX APPROVED XXX		SHEET 1 OF 1	