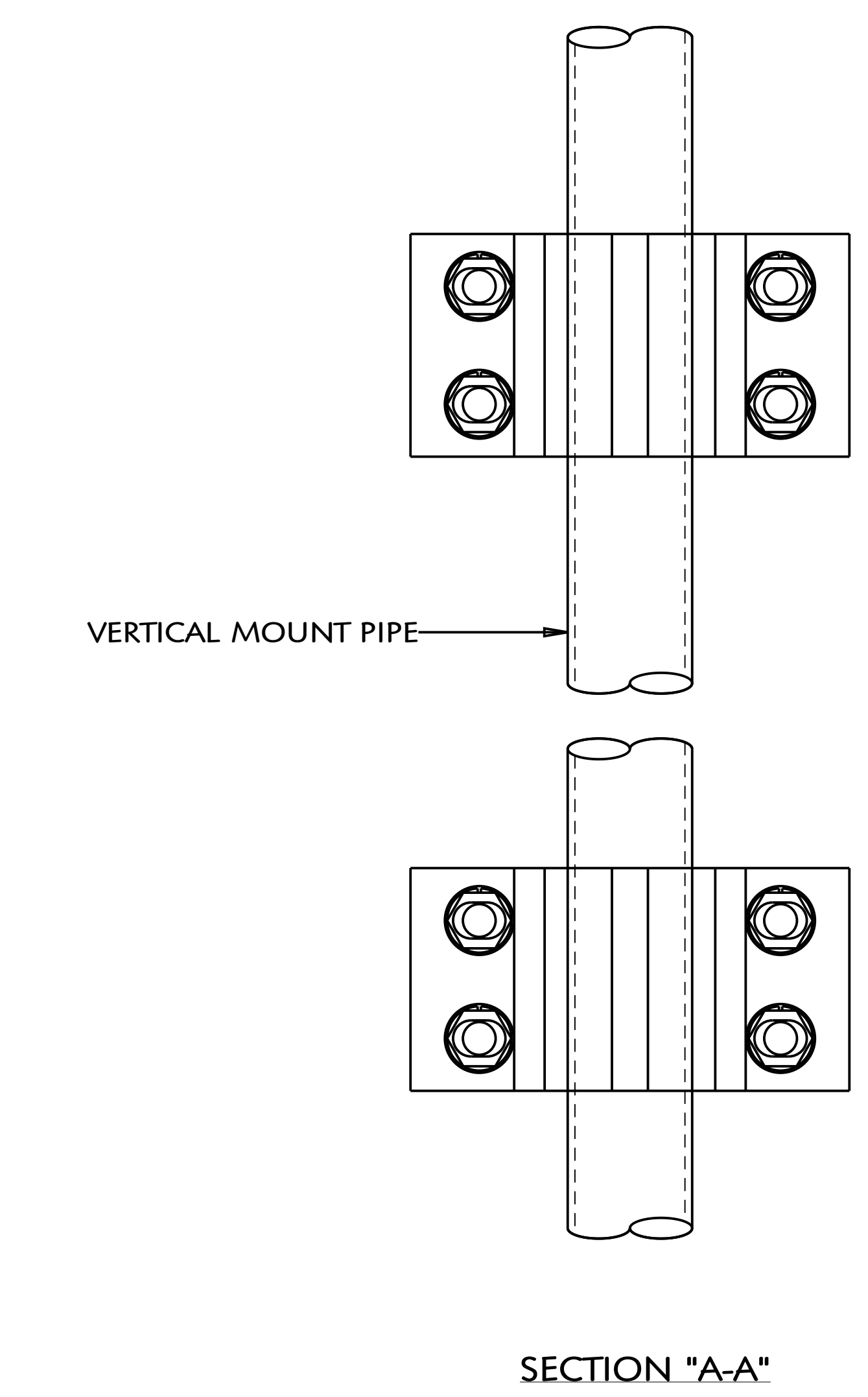
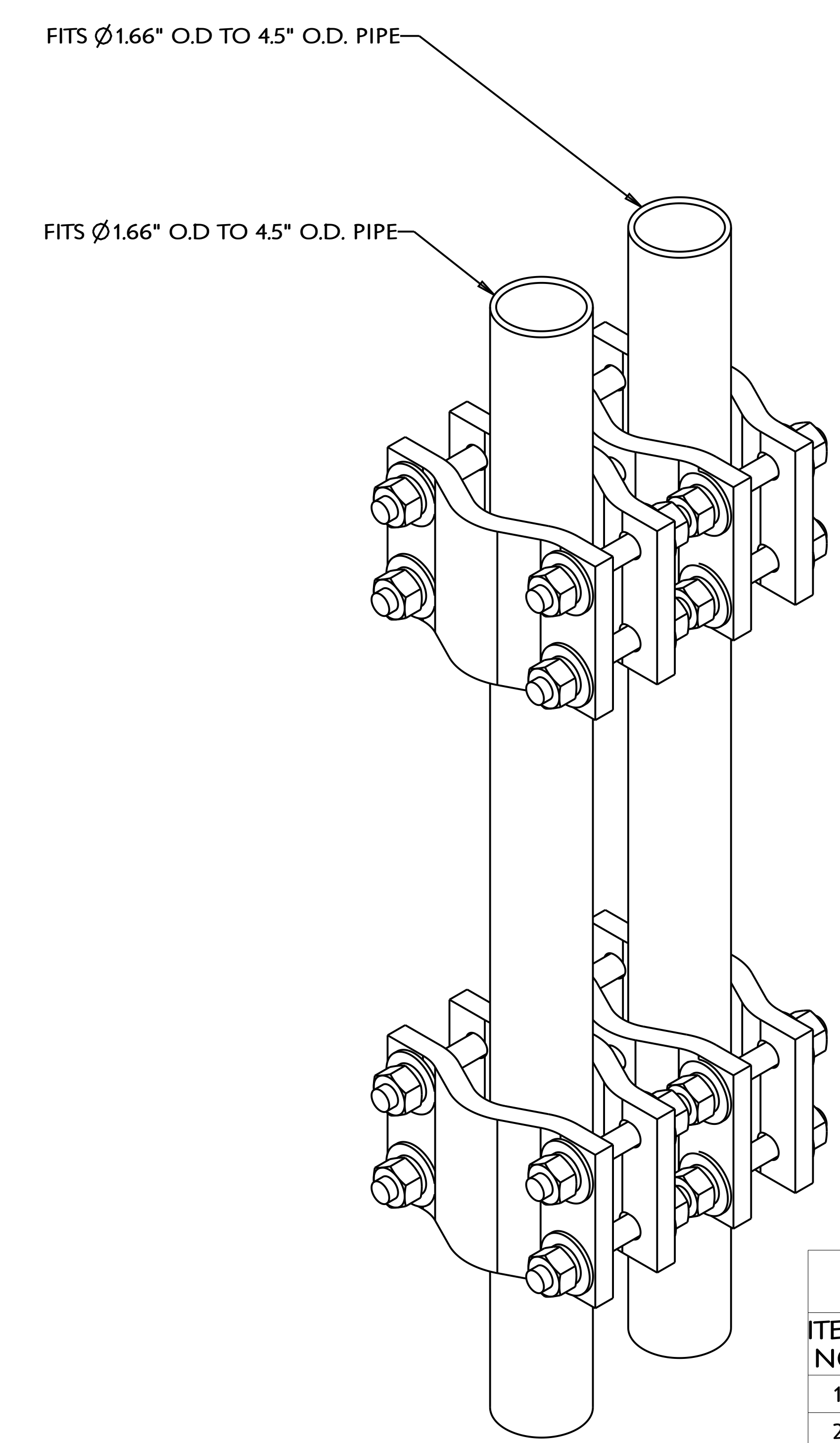
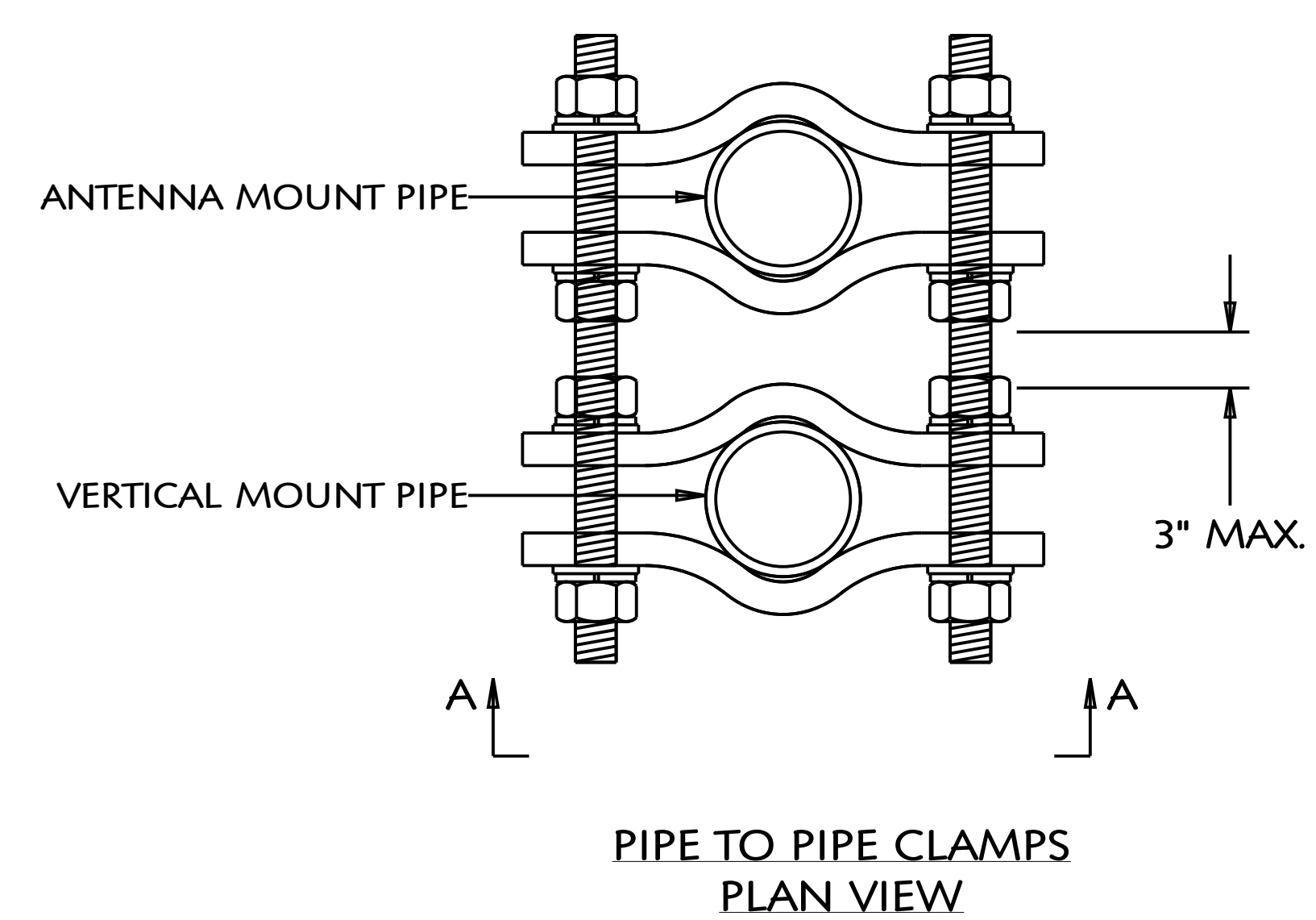


REVISION HISTORY			
REV	DESCRIPTION	DATE	APPROVED
A	INITIAL RELEASE	X	X



VZWSMART-MSK3D (PIPE TO PIPE CLAMPS)					
ITEM NO.	QTY.	PART NO.	DESCRIPTION	SHEET #	WT
1	8	V-CLAMP	PL 1/2" X 4 1/4" X 8 5/8" A36 BEND PLATE	MSK3D-F1	
2	8	---	THREADED ROD 5/8" DIA. X 1'-0" F1554-36 HDG	---	--
3	32	FW-625	5/8" HDG USS FLAT WASHER	---	
4	32	LW-625	5/8" HDG LOCK WASHER	---	
5	32	NUT-625	5/8" HDG HEX NUT	---	
GALVANIZED WT					

- NOTES:**
- ALL HOLES ARE 11/16" DIA. U.N.O
 - HOT-DIPPED GALVANIZED PER ASTM A123.
 - FIT UP TO 4.5" O.D. PIPE

UNLESS OTHERWISE SPECIFIED DIMENSIONS ARE IN INCHES AND INCLUDE FINISH		THIRD ANGLE PROJECTION			METROSITE FABRICATORS LLC 180 INDUSTRIAL PARK BLVD. COMMERCE GA 30529
STANDARD SHEET TOLERANCES		CONFIDENTIAL ALL INFORMATION ON THIS DOCUMENT IS PROPERTY OF METROSITE FABRICATORS LLC			
DECIMALS	ANGLES	APPROVAL / SIGNATURES	DATE	SIZE DWG NO	
.X ± 0.1	± 1°	DRAWN BY XXX	May-26-20	D MSK3D	SHEET 1 OF 1
.XX ± 0.02	FRACTIONS ± 1/32	REVIEWED XXX	May-26-20		
XXX ± 0.005		APPROVED XXX	May-26-20		