

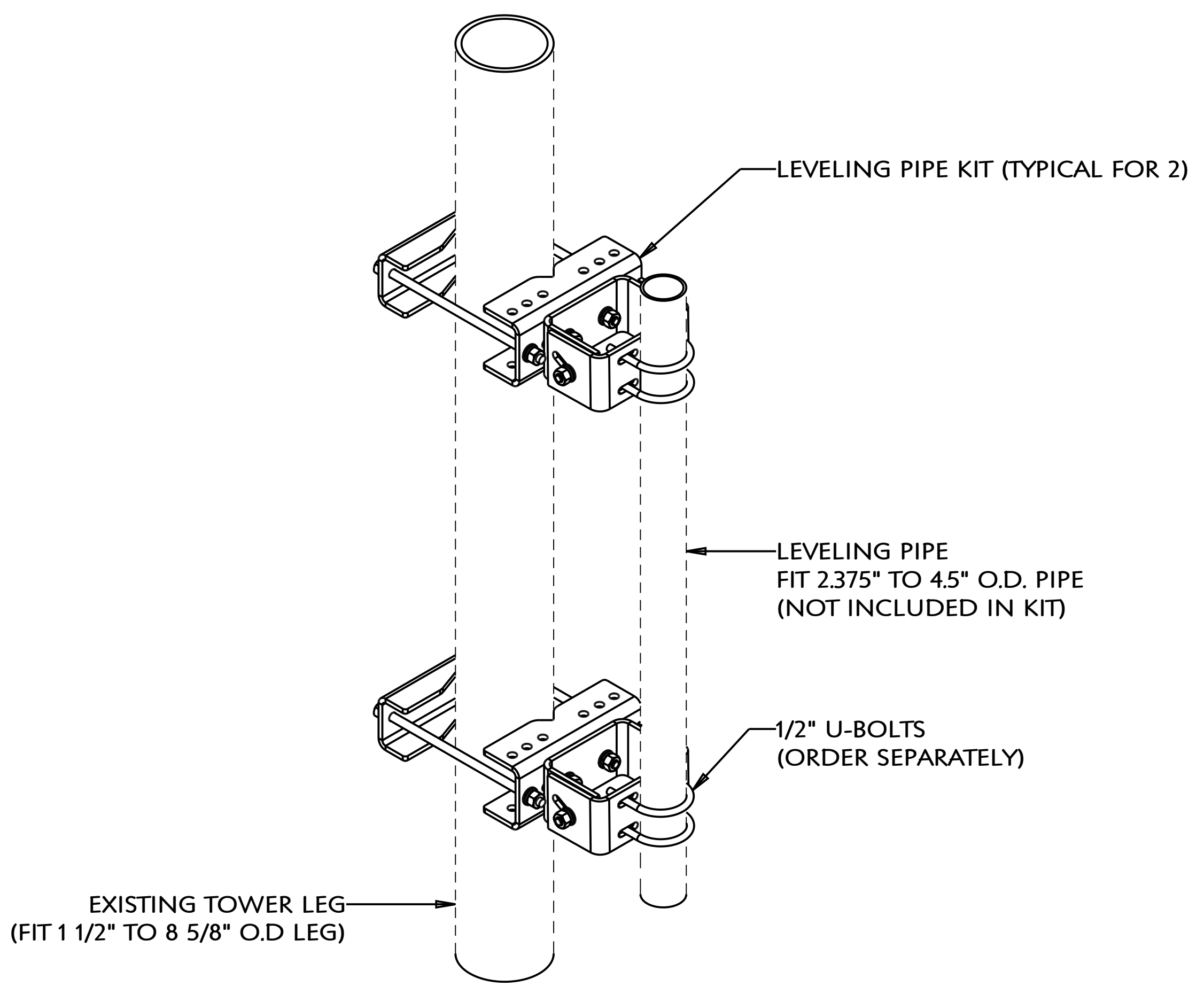
REVISION HISTORY			
REV	DESCRIPTION	DATE	APPROVED
A	INITIAL RELEASE	X	X

D

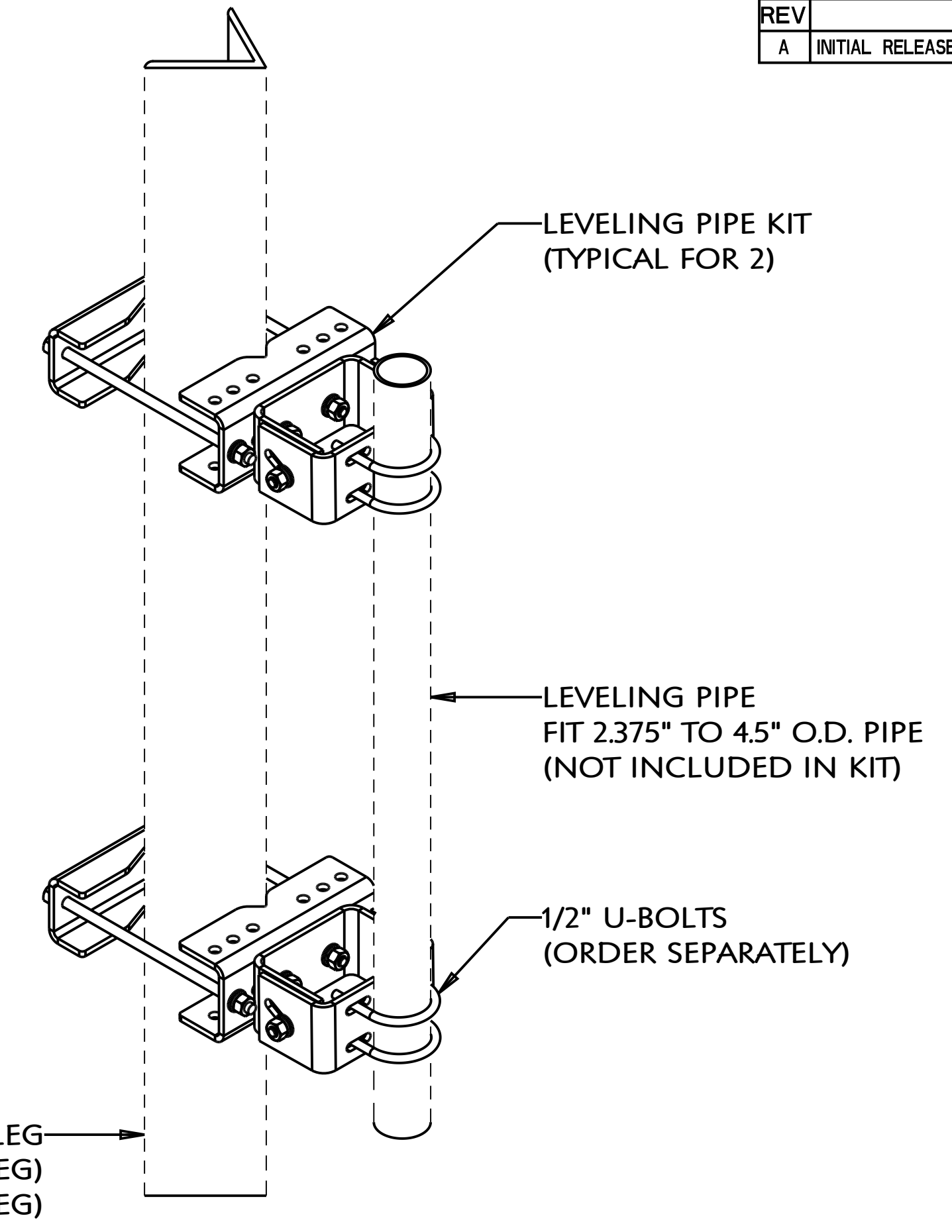
C

B

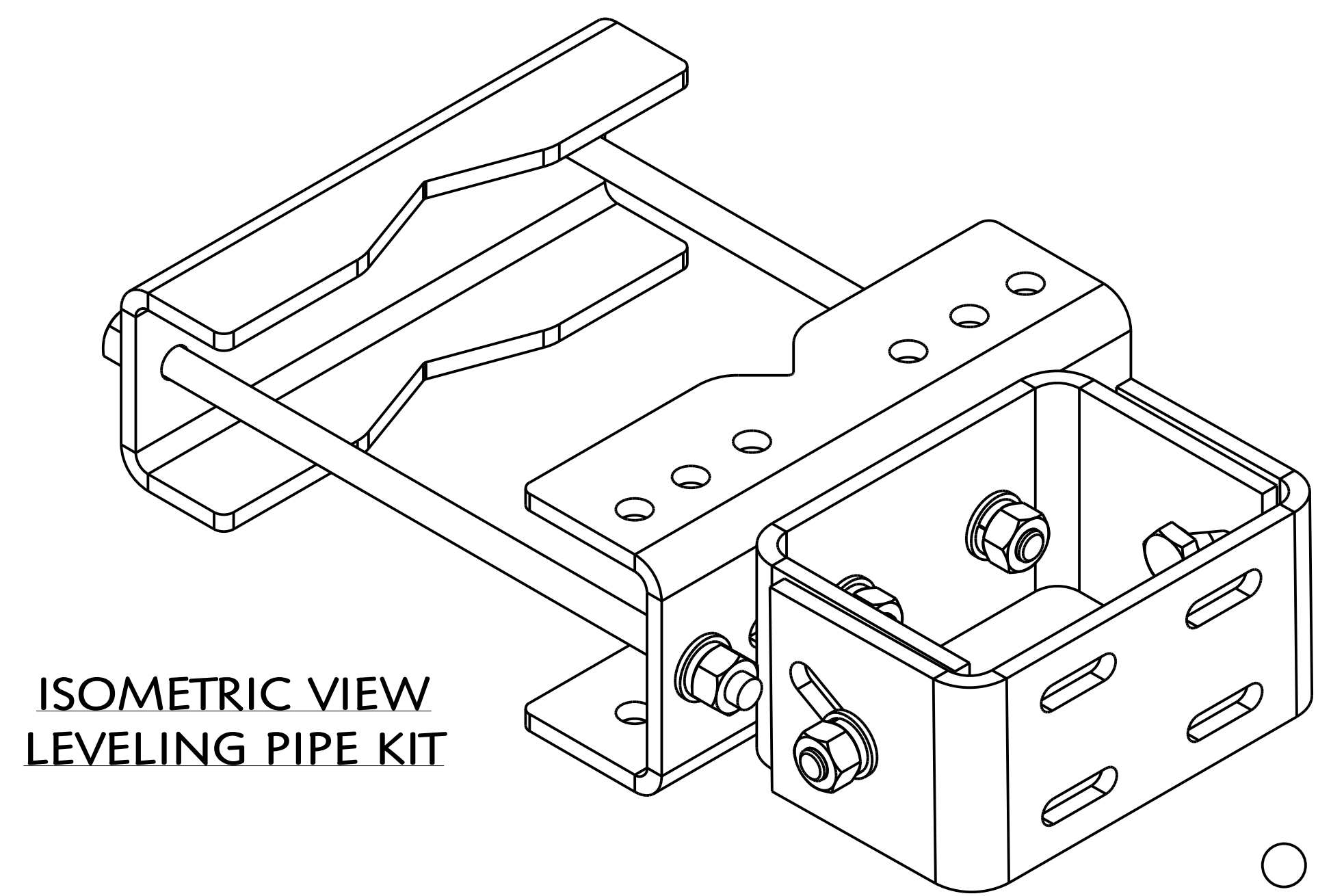
A



**OPTION-1
LEVELING PIPE KIT WITH ROUND LEG**



**OPTION-2
LEVELING PIPE KIT WITH ANGLE LEG**



**ISOMETRIC VIEW
LEVELING PIPE KIT**

NOTES:
1. HOT-DIPPED GALVANIZED PER ASTM A123.

VZWSMART-MSK4 (LEVELING PIPE KIT)					
ITEM NO.	QTY.	PART NO.	DESCRIPTION	SHEET #	WT
1	2	BP825-12	PL 3/8" X 8 1/4" X 1'-0" A36 BENT PLATE	MSK4-F1	
2	2	BP1125-12	PL 3/8" X 11 1/8" X 1'-0" A36 BENT PLATE	MSK4-F2	
3	2	BP425-18INT	PL 3/8" X 4 1/2" X 1'-6" A36 BENT PLATE	MSK4-F3	
4	2	BP425-18EXT	PL 3/8" X 4 1/2" X 1'-6" A36 BENT PLATE	MSK4-F4	
5	4	---	THREADED ROD 5/8" DIA. X 1'-6" F1554-36 HDG	---	
6	8	---	BOLT 5/8" X 2" A325	---	
7	16	FW-625	5/8" HDG USS FLAT WASHER	---	
8	16	LW-625	5/8" HDG LOCK WASHER	---	
9	16	NUT-625	5/8" HDG HEX NUT	---	
GALVANIZED WT					

UNLESS OTHERWISE SPECIFIED DIMENSIONS ARE IN INCHES AND INCLUDE FINISH	THIRD ANGLE PROJECTION		 METROSITE FABRICATORS LLC 180 INDUSTRIAL PARK BLVD. COMMERCE GA 30529
	CONFIDENTIAL ALL INFORMATION ON THIS DOCUMENT IS PROPERTY OF METROSITE FABRICATORS LLC		
STANDARD SHEET TOLERANCES		TITLE	
DECIMALS .X ± 0.1 .XX ± 0.02 XXX ± 0.005	ANGLES ± 1° FRACTIONS ± 1/32	APPROVAL / SIGNATURES	LEVELING PIPE KIT
		DATE	MSK4
		DRAWN BY: XXX REVIEWED: XXX APPROVED: XXX	SHEET 1 OF 1 SCALE: DRAWING SCALE