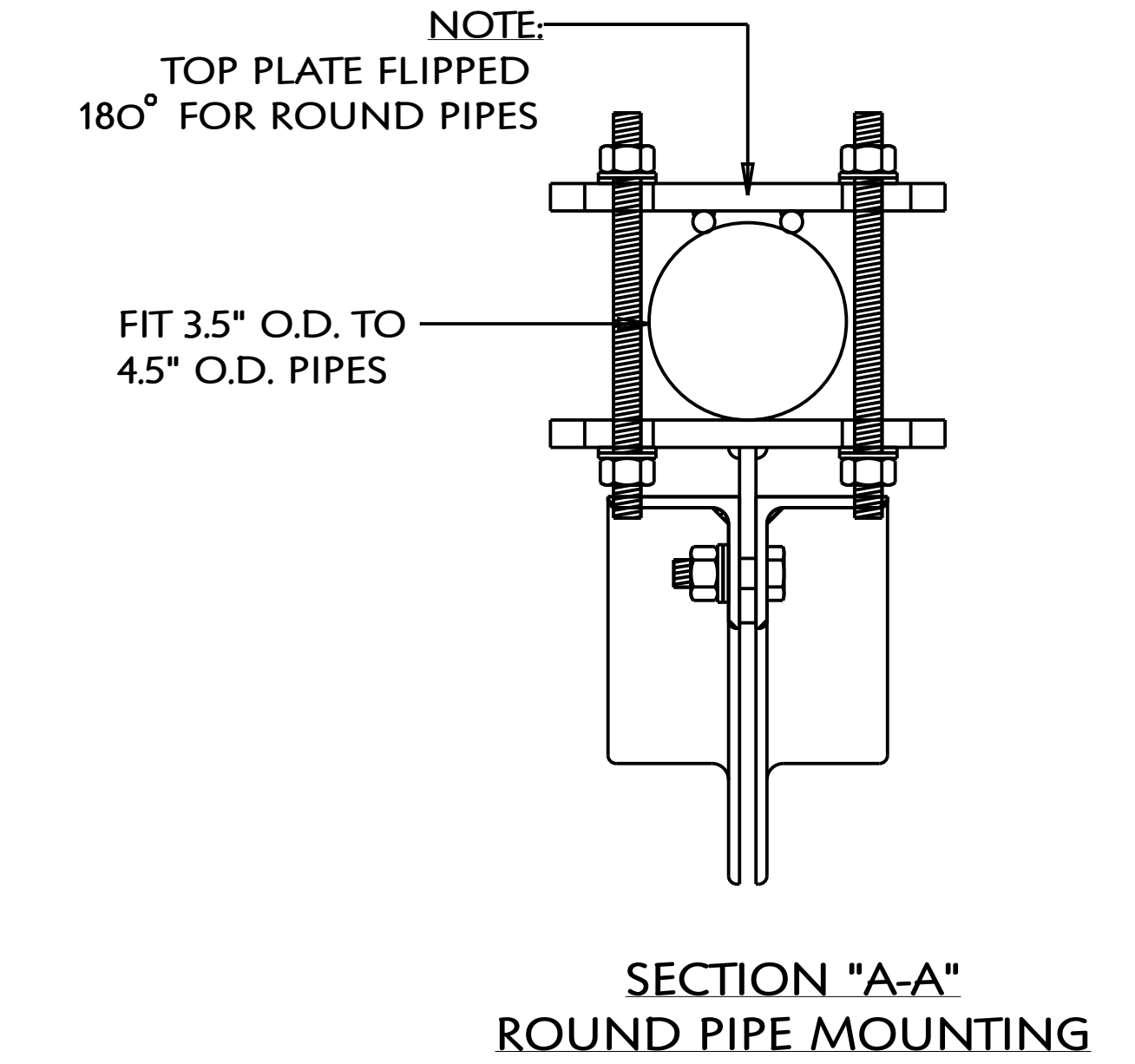
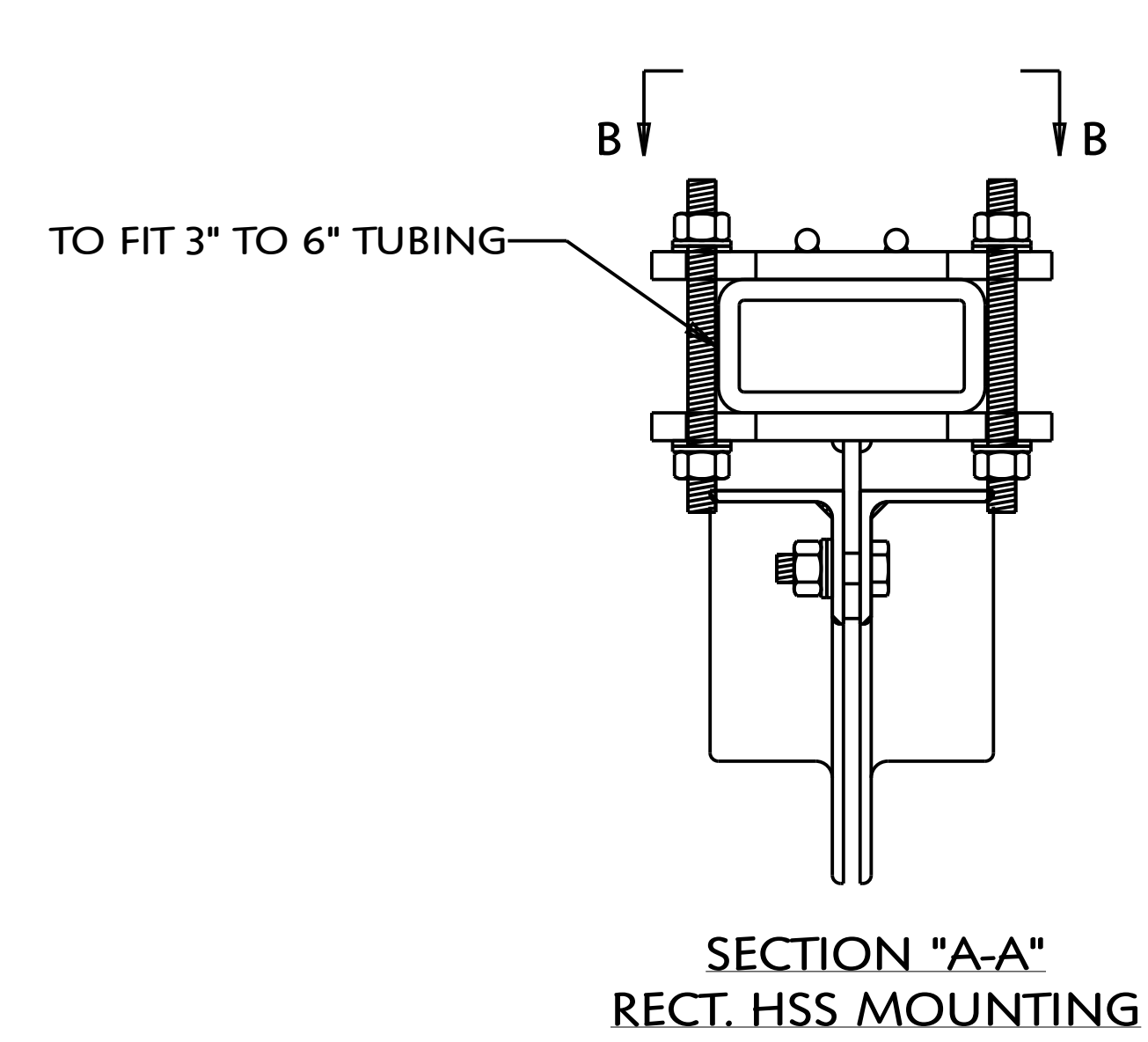
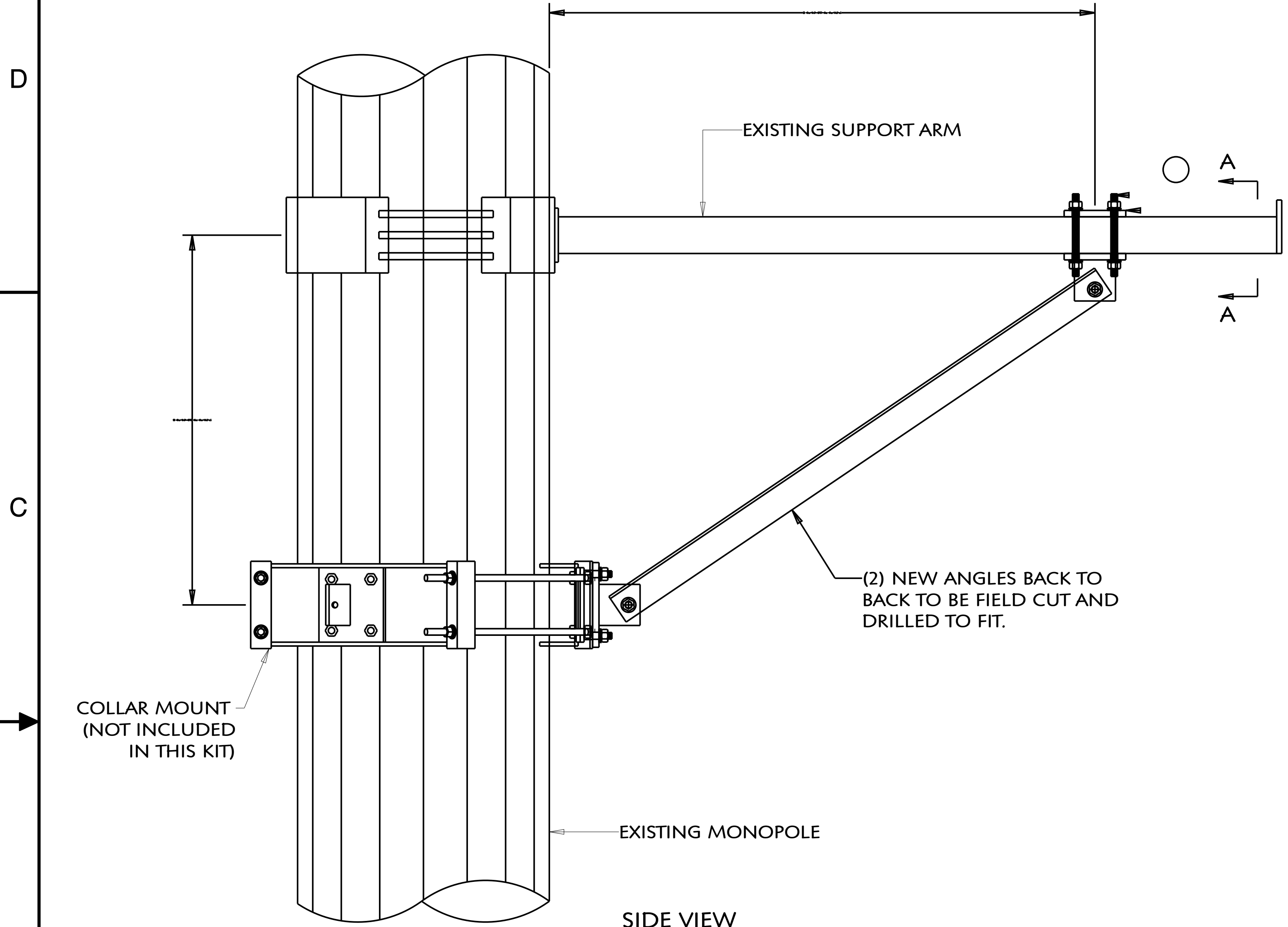
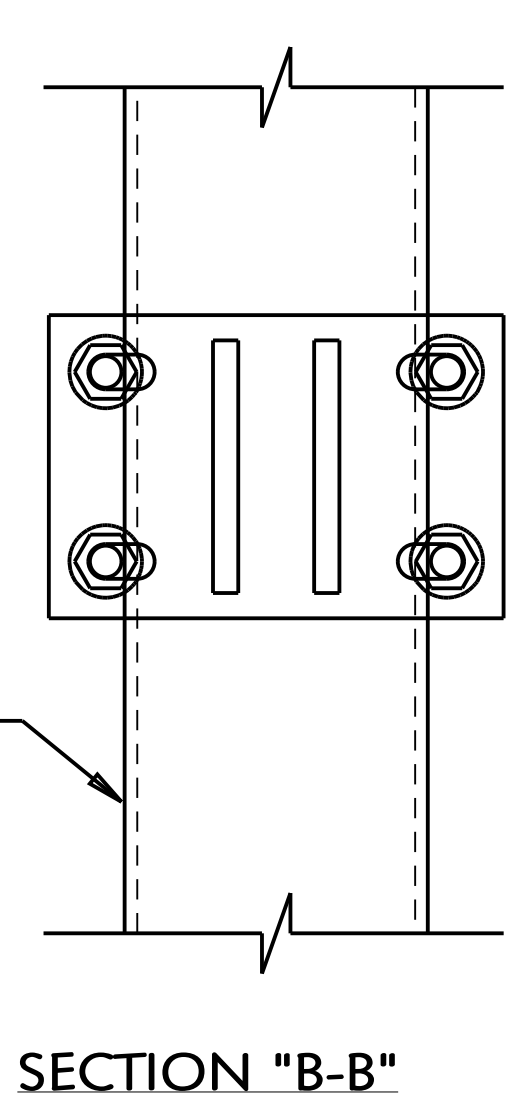


REVISION HISTORY			
REV	DESCRIPTION	DATE	APPROVED
A	INITIAL RELEASE	X	X

NOTE: THE LOCATION OF KICKER AND EXISTING ANTENNA MOUNT SHOWN ON THE DRAWING IS FOR REPRESENTATION PURPOSE ONLY. SEE INSTALLATION DRAWINGS FOR ACTUAL INSTALLATION OF DETAILS.



SIDE VIEW KICKER KIT



EXISTING SUPPORT ARM

- NOTES:
1. ALL HOLES ARE 11/16" DIA. U.N.O
  2. HOT-DIPPED GALVANIZED PER ASTM A123.
  3. FIT UP TO 6" SQ. TUBING OR 4 1/2" O.D. PIPE

VZWSMART-PLK5 (KICKER KIT)					
ITEM NO.	QTY.	PART NO.	DESCRIPTION	SHEET #	WT
1	3	BRKW-XXX	BRACKET WELDMENT A36	PLK5-F3	
2	3	BRKW-XXXX	BRACKET WELDMENT A36	PLK5-F2	
3	6	L331875-8	L 3" X 3" X 3/16" X 8'-0" A36	PLK5-F4	
4	3	PL-KI	PL 5/8" X 6" X 9" A36	PLK5-F1	
5	12	---	THREADED ROD 5/8" DIA. X 1'-0" F1554-36 HDG	---	--
6	6	---	BOLT 5/8" X 2 1/4" A325	---	--
7	12	---	BOLT 5/8" X 2" A325	---	--
8	42	FW-625	5/8" HDG USS FLAT WASHER	---	
9	42	LW-625	5/8" HDG LOCK WASHER	---	
10	42	NUT-625	5/8" HDG HEX NUT	---	
					GALVANIZED WT

UNLESS OTHERWISE SPECIFIED DIMENSIONS ARE IN INCHES AND INCLUDE FINISH		THIRD ANGLE PROJECTION		METROSITE FABRICATORS LLC 180 INDUSTRIAL PARK BLVD. COMMERCE GA 30529	
STANDARD SHEET TOLERANCES		CONFIDENTIAL ALL INFORMATION ON THIS DOCUMENT IS PROPERTY OF METROSITE FABRICATORS LLC		TITLE <b>KICKER KIT</b>	
DECIMALS .X ± 0.1 .XX ± 0.02 .XXX ± 0.005	ANGLES ± 1° FRACTIONS ± 1/32	APPROVAL / SIGNATURES	DATE	SIZE DWG NO	REV
		DRAWN BY: XXX	May-26-20	D	PL-K5
		REVIEWED: XXX	May-26-20	SHEET 1 OF 1	
		APPROVED: XXX	May-26-20	SCALE	