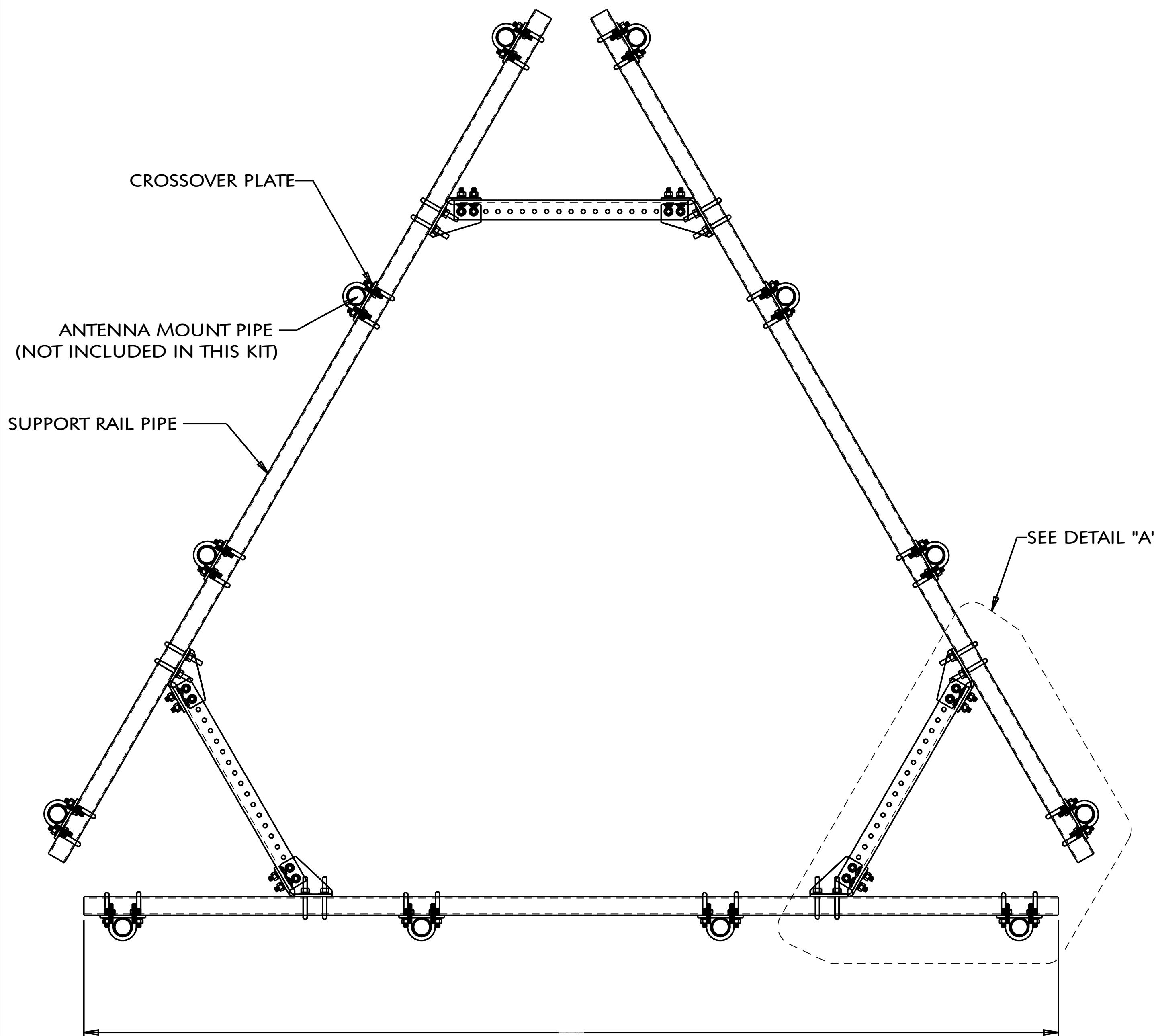
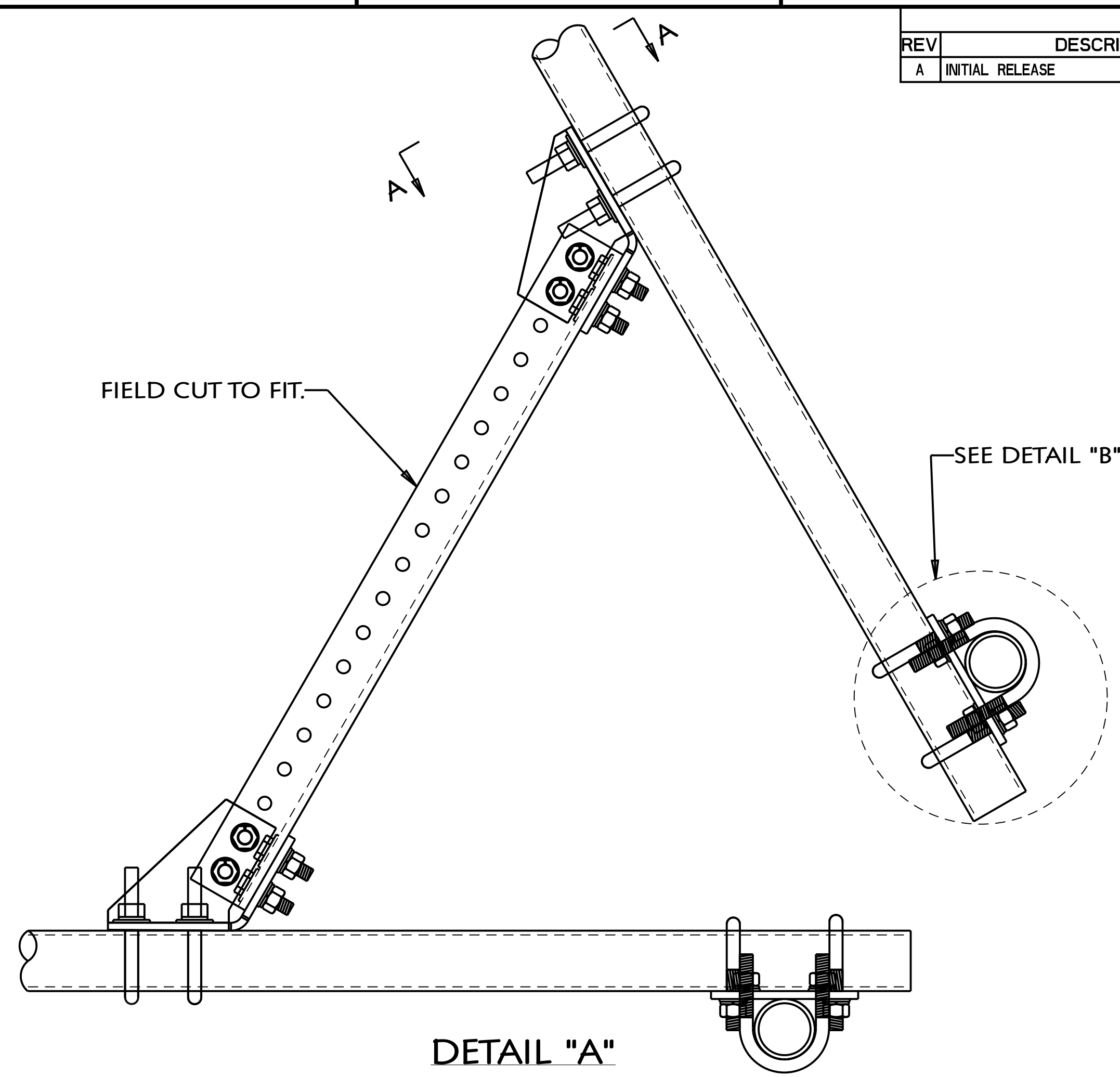


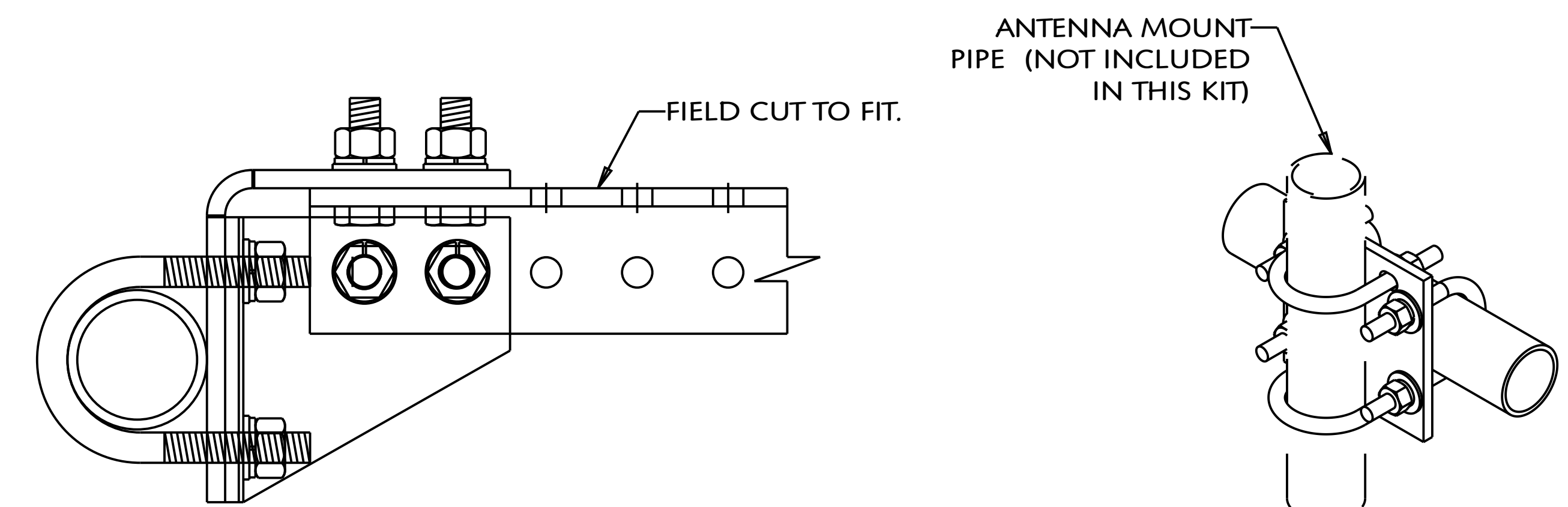
REVISION HISTORY			
REV	DESCRIPTION	DATE	APPROVED
A	INITIAL RELEASE	X	X



PLAN VIEW



DETAIL "A"



SECTION "A-A"

DETAIL "B"

VZW SMART-PLK1 (SUPPORT RAIL KIT)					
ITEM NO.	QTY.	PART NO.	DESCRIPTION	SHEET #	WT
1	3	PST2875-12.5	2.5" PST (2.875" O.D. X 0.203" THK.) X 12'-6" A53 GR-B	PLK1-F1	
2	3	L33375-3	L 3" X 3" X 3/8" X 3'-0" A36	PLK1-F1	
3	3	CBP-L	CORNER BENT PLATE BRACKET	PLK1-F2	
4	3	CBP-R	CORNER BENT PLATE BRACKET	PLK1-F2	
5	60	MSO2-625-300-500	RU-BOLT 5/8" X 3" I.W. X 5" I.L. A36 (OR EQUIV.)	RBC-1	
6	24	---	BOLT 5/8" X 2" A325	---	
7	12	PL375-857	PL 3/8" X 8 1/2" X 7'-0" A36	PLK1-F3	
8	144	FW-625	5/8" HDG USS FLAT WASHER	---	
9	144	LW-625	5/8" HDG LOCK WASHER	---	
10	144	NUT-625	5/8" HDG HEX NUT	---	
GALVANIZED WT					

NOTES:  
1. HOT-DIPPED GALVANIZED PER ASTM A123.

UNLESS OTHERWISE SPECIFIED DIMENSIONS ARE IN INCHES AND INCLUDE FINISH STANDARD SHEET TOLERANCES DECIMALS .X ± 0.1 .XX ± 0.02 .XXX ± 0.005 ANGLES ± 1° FRACTIONS ± 1/32	CONFIDENTIAL ALL INFORMATION ON THIS DOCUMENT IS PROPERTY OF METROSITE FABRICATORS LLC		METROSITE FABRICATORS LLC 180 INDUSTRIAL PARK BLVD. COMMERCE GA 30529
	THIRD ANGLE PROJECTION 	TITLE <b>PLATFORM SUPPORT RAIL KIT</b>	
APPROVAL / SIGNATURES DATE DRAWN BY: XXX May-26-20 REVIEWED: XXX May-26-20 APPROVED: XXX May-26-20	SIZE: D DWG NO: PLK1 SCALE:	SHEET 1 OF 1	REV