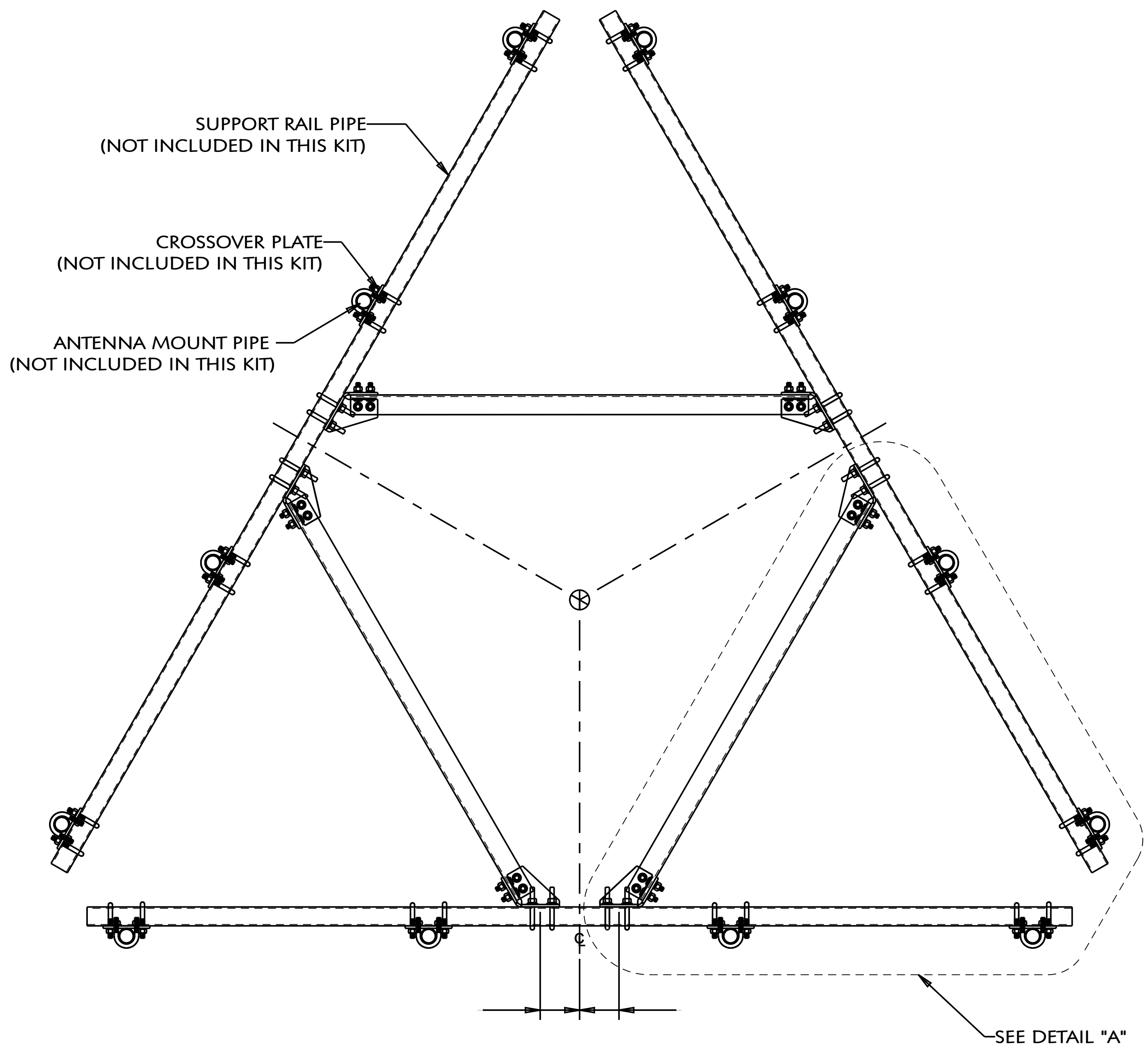
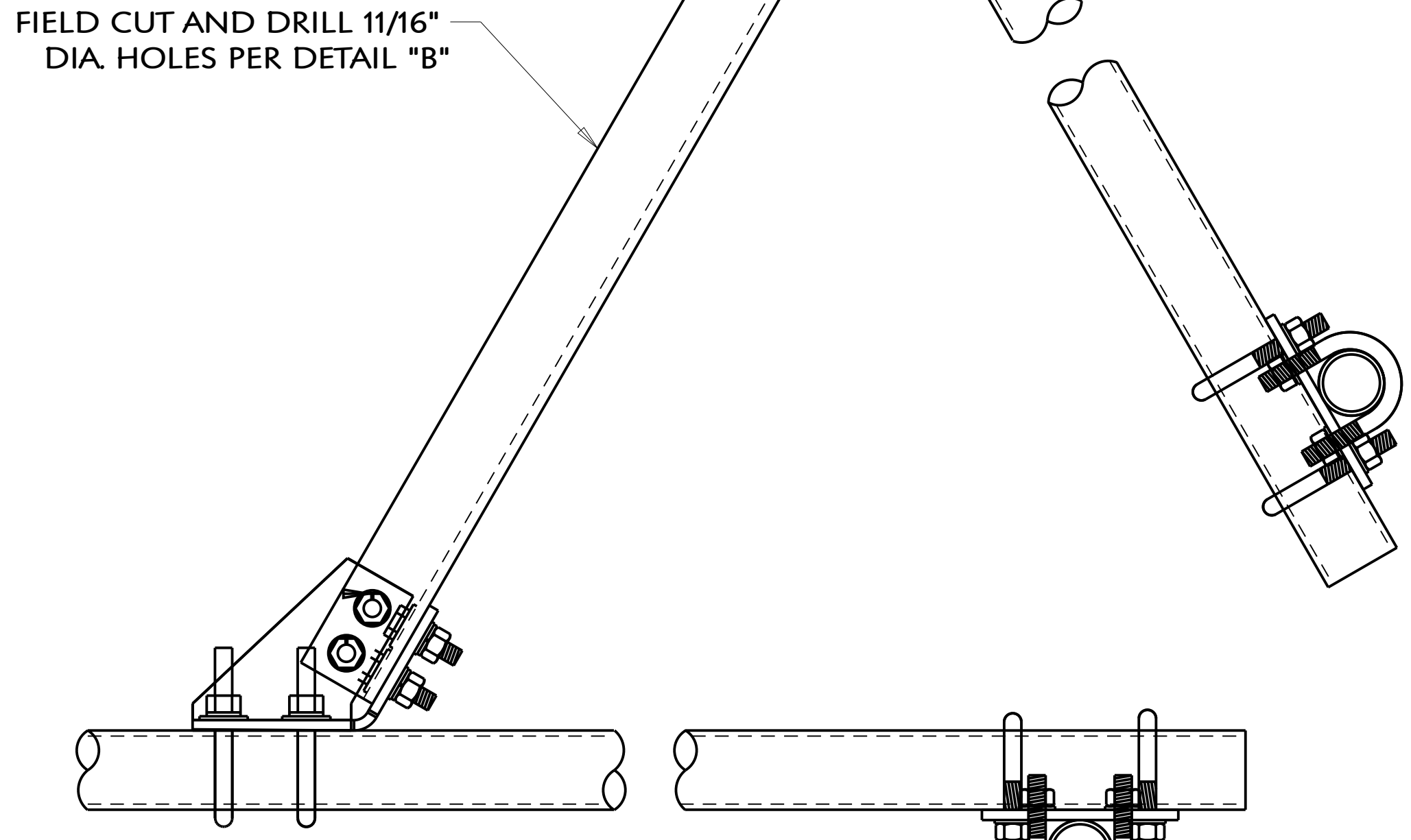


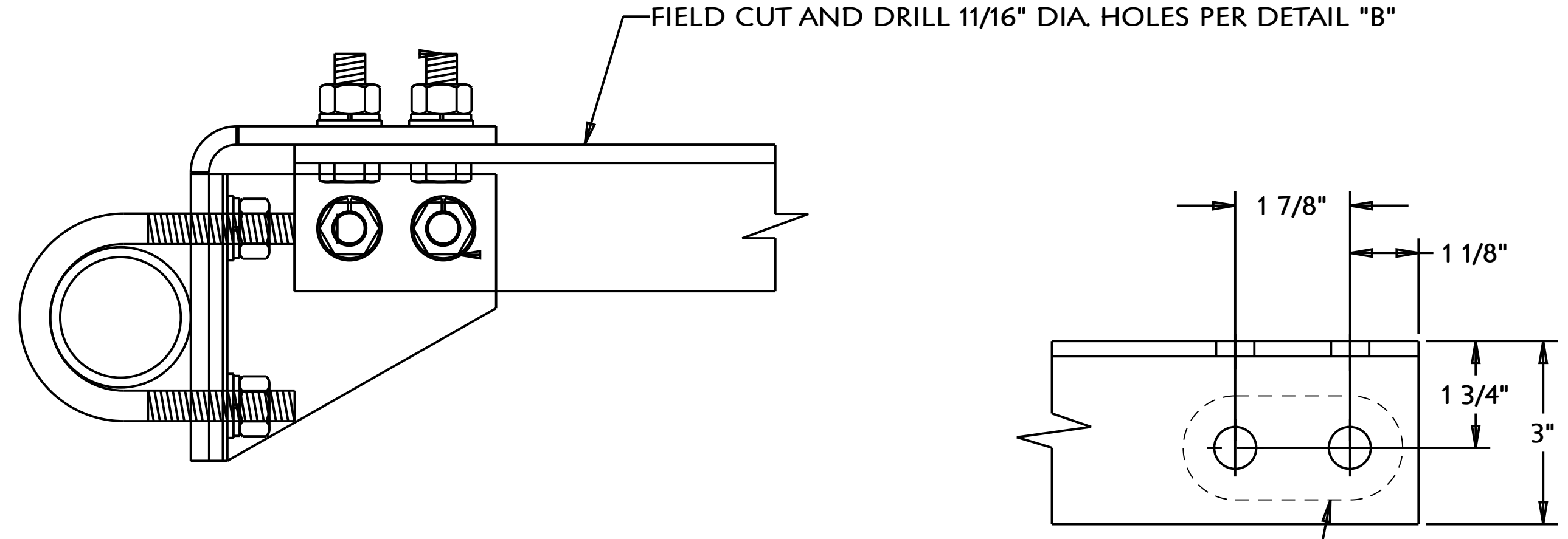
REVISION HISTORY			
REV	DESCRIPTION	DATE	APPROVED
A	INITIAL RELEASE	X	X



PLAN VIEW



DETAIL "A"



SECTION "A-A"

DETAIL "B"

VZWSMART-PLK2 (PLATFORM SUPPORT RAIL BRACING)					
ITEM NO.	QTY.	PART NO.	DESCRIPTION	SHEET #	WT
1	3	L3325-8	L 3" X 3" X 1/4" X 8'-0" A36	PLK2-F1	
2	3	CBP-L	CORNER BENT PLATE BRACKET	PLK2-F2	
3	3	CBP-R	CORNER BENT PLATE BRACKET	PLK2-F2	
4	12	MSO2-625-300-500	RU-BOLT 5/8" X 3" I.W. X 5" I.L. A36 (OR EQUIV.)	RBC-1	
5	24	---	BOLT 5/8" X 2" A325 W/HHN & LKW EA.	---	
6	48	FW-625	5/8" HDG USS FLAT WASHER	---	
7	48	LW-625	5/8" HDG LOCK WASHER	---	
8	48	NUT-625	5/8" HDG HEX NUT	---	
GALVANIZED WT					

NOTES:  
1. HOT-DIPPED GALVANIZED PER ASTM A123.

THIRD ANGLE PROJECTION						METROSITE FABRICATORS LLC 180 INDUSTRIAL PARK BLVD. COMMERCE GA 30529	
UNLESS OTHERWISE SPECIFIED DIMENSIONS ARE IN INCHES AND INCLUDE FINISH				CONFIDENTIAL ALL INFORMATION ON THIS DOCUMENT IS PROPERTY OF METROSITE FABRICATORS LLC			
STANDARD SHEET TOLERANCES		APPROVAL / SIGNATURES		DATE		TITLE	
DECIMALS	ANGLES	DRAWN BY: XXX		May-26-20		SIZE DWG NO.	
.XX ± 0.02	FRACTIONS ± 1/32	REVIEWED: XXX		May-26-20		D	
XXX ± 0.005		APPROVED: XXX		May-26-20		PLK2	
SCALING DRAWING SCALE						SHEET 1 OF 1	