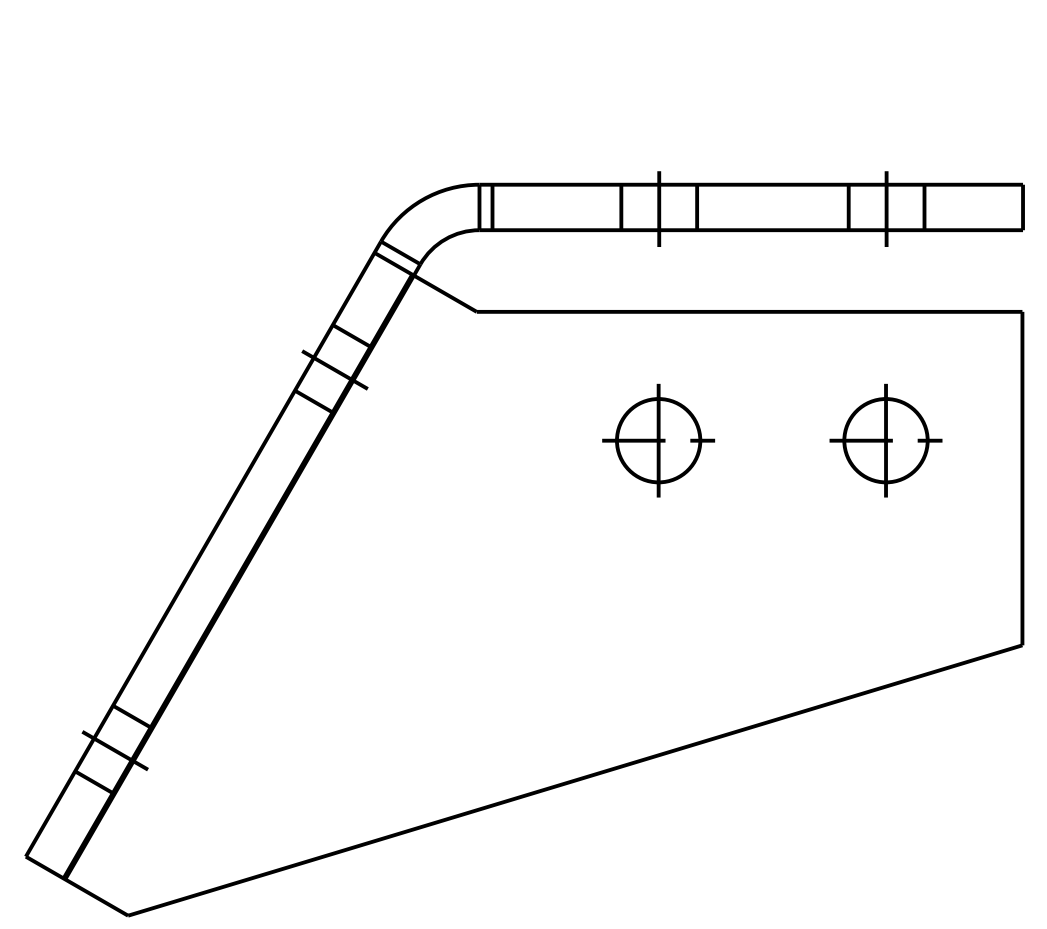
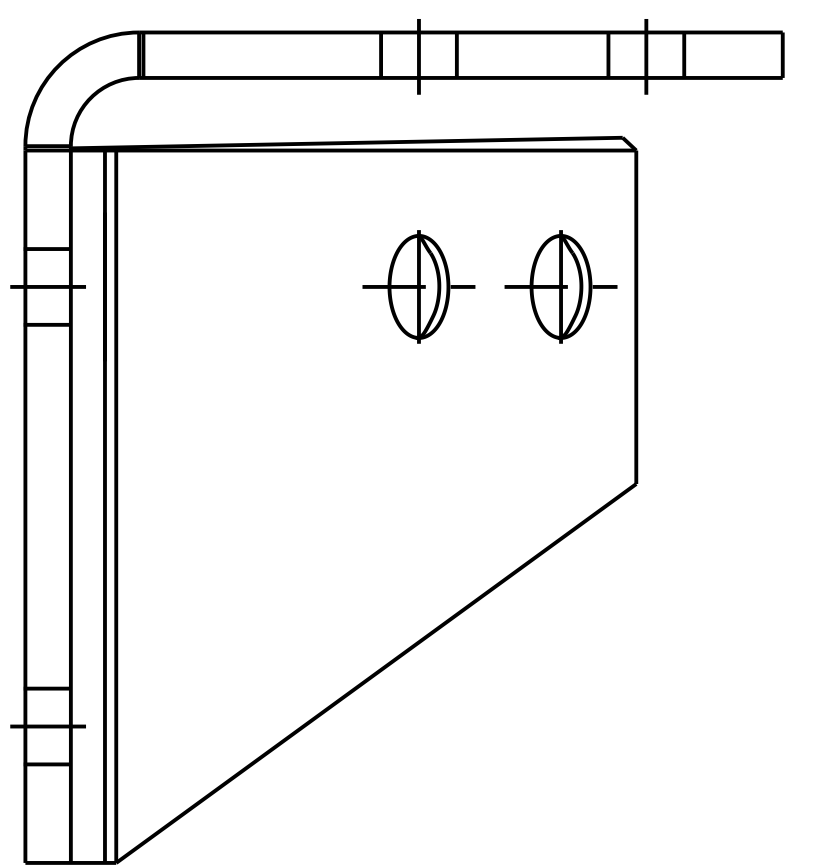


REVISION HISTORY			
REV	DESCRIPTION	DATE	APPROVED
A	INITIAL RELEASE	X	X

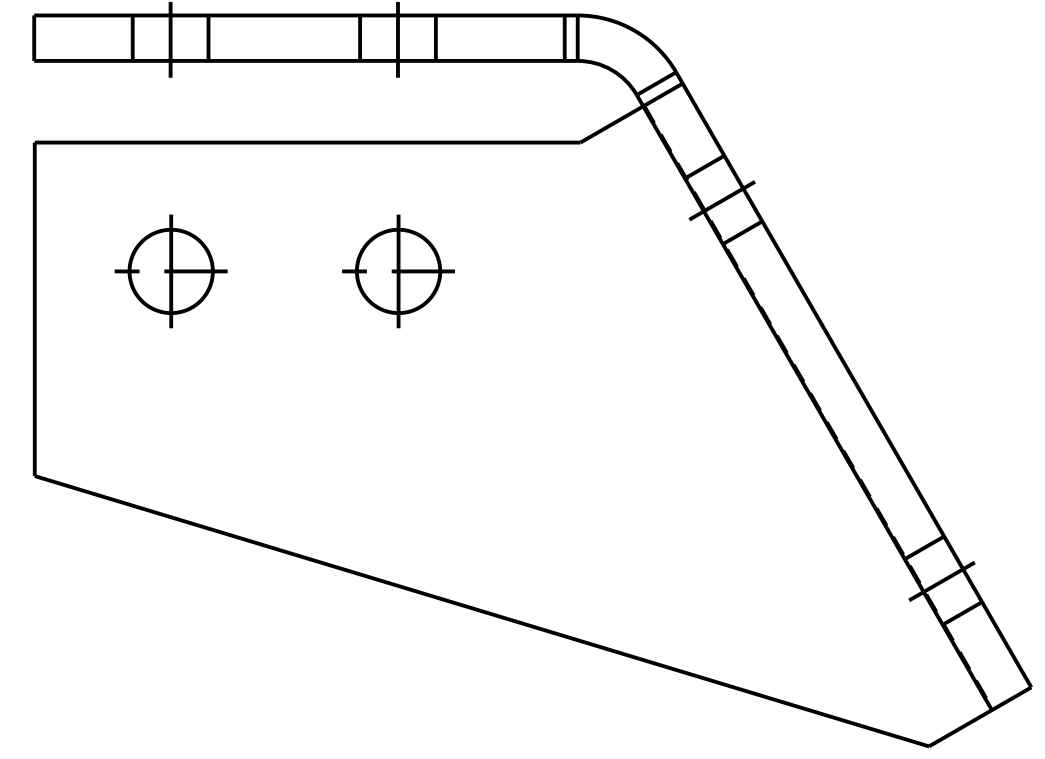


TOP VIEW

CBP-L

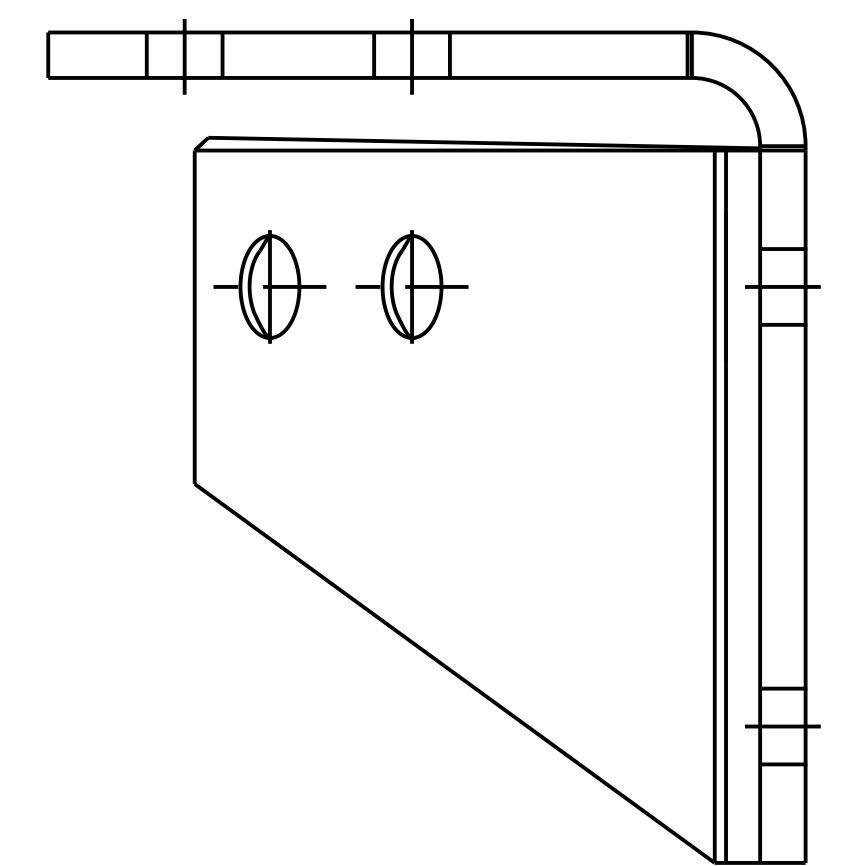


SIDE VIEW



TOP VIEW

CBP-R



SIDE VIEW

VZWSMART-PLK3 (SUPPORT RAIL CORNER BRACKET)					
ITEM NO.	QTY.	PART NO.	DESCRIPTION	SHEET #	WT
1	1	CBP-L	CORNER BENT PLATE BRACKET	PLK3-F1	
2	1	CBP-R	CORNER BENT PLATE BRACKET	PLK3-F1	
3	4	MSO2-625-300-500	RU-BOLT 5/8" X 3" I.W. X 5" I.L. A36 (OR EQUIV.)	RBC-1	
4	8	---	BOLT 5/8" X 2" A325	---	
5	16	FW-625	5/8" HDG USS FLAT WASHER	---	
6	16	LW-625	5/8" HDG LOCK WASHER	---	
7	16	NUT-625	5/8" HDG HEX NUT	---	
GALVANIZED WT					

NOTES:  
1. HOT-DIPPED GALVANIZED PER ASTM A123.

THIRD ANGLE PROJECTION				METROSITE FABRICATORS LLC 180 INDUSTRIAL PARK BLVD. COMMERCE GA 30529
UNLESS OTHERWISE SPECIFIED DIMENSIONS ARE IN INCHES AND INCLUDE FINISH				
STANDARD SHEET TOLERANCES DECIMALS .X ± 0.1 .XX ± 0.02 .XXX ± 0.005		ANGLES ± 1° FRACTIONS ± 1/32	CONFIDENTIAL ALL INFORMATION ON THIS DOCUMENT IS PROPERTY OF METROSITE FABRICATORS LLC	
APPROVAL / SIGNATURES DATE		TITLE <b>SUPPORT RAIL CORNER BRACKET</b>		
DRAWN BY XXX REVIEWED XXX APPROVED XXX	May-26-20 May-26-20 May-26-20	SIZE DWG NO <b>D</b>	PLK3	
SCALBRAWING SCALE		SHEET 1 OF 1		