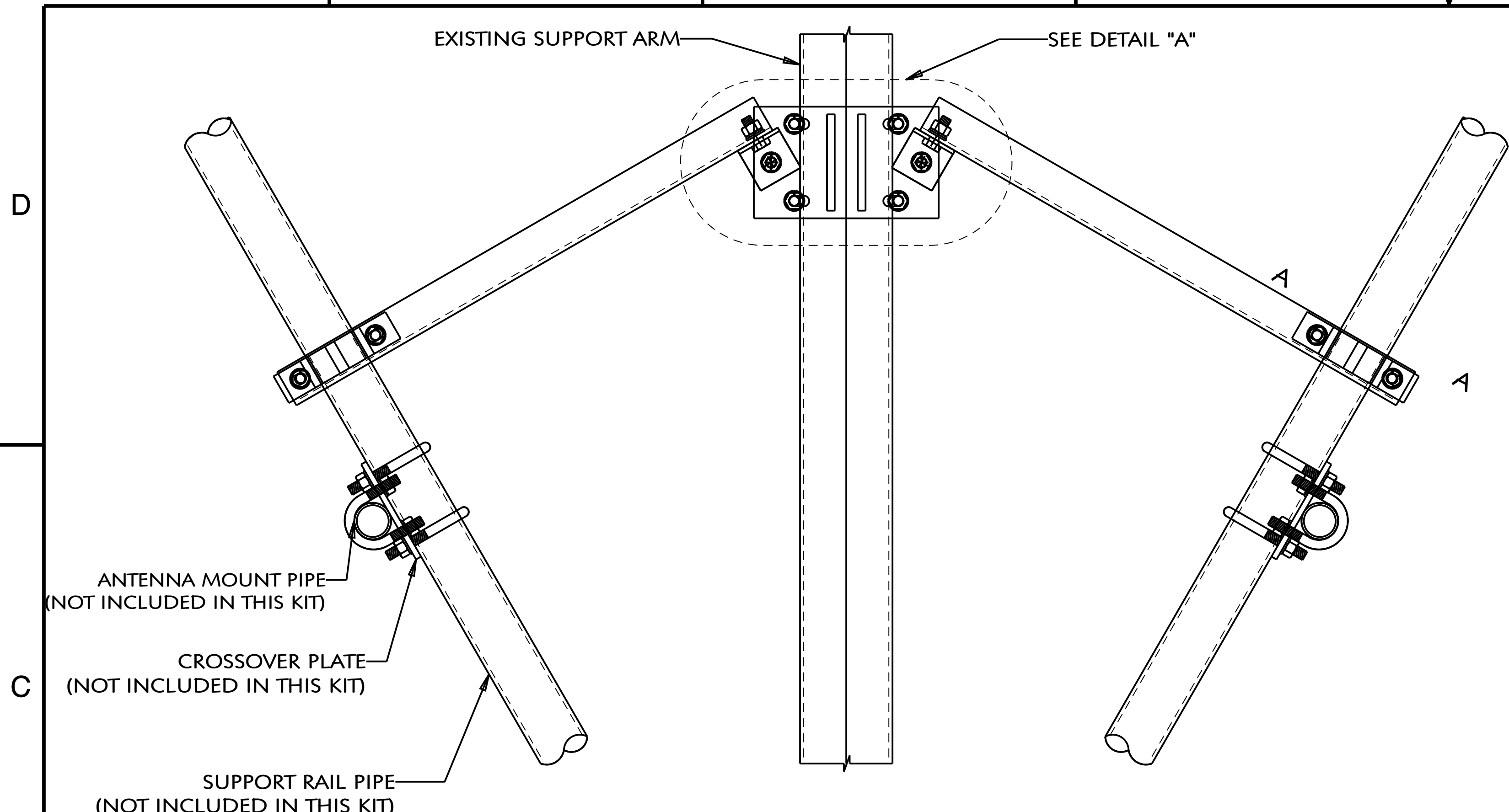
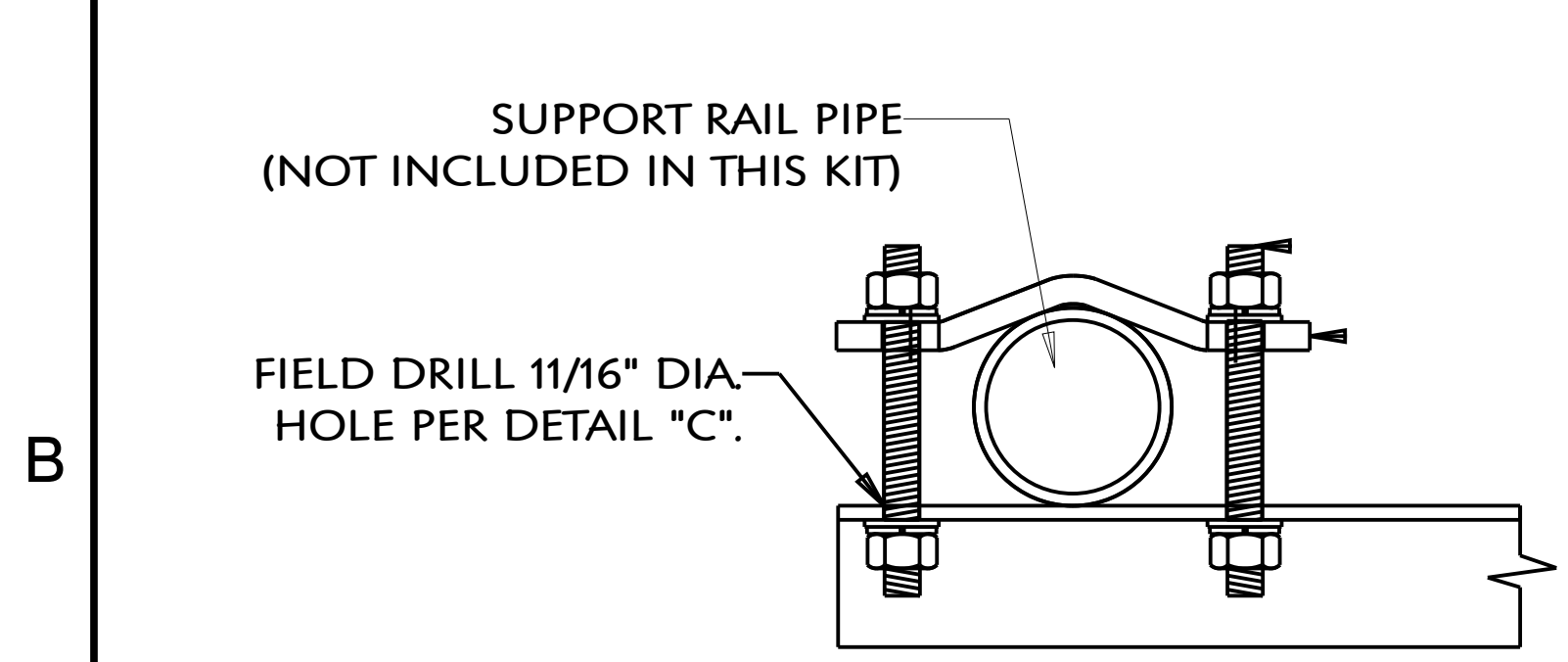
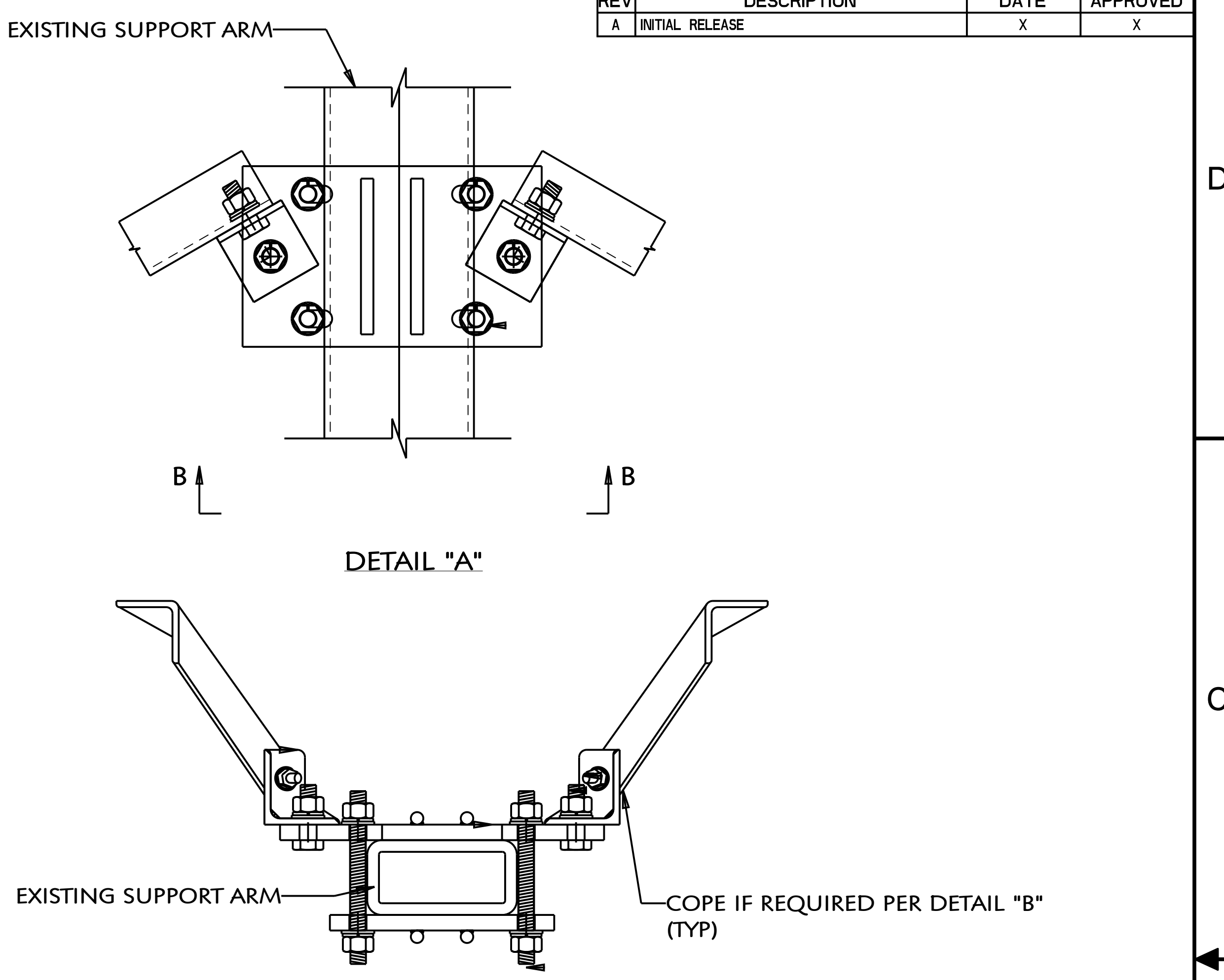


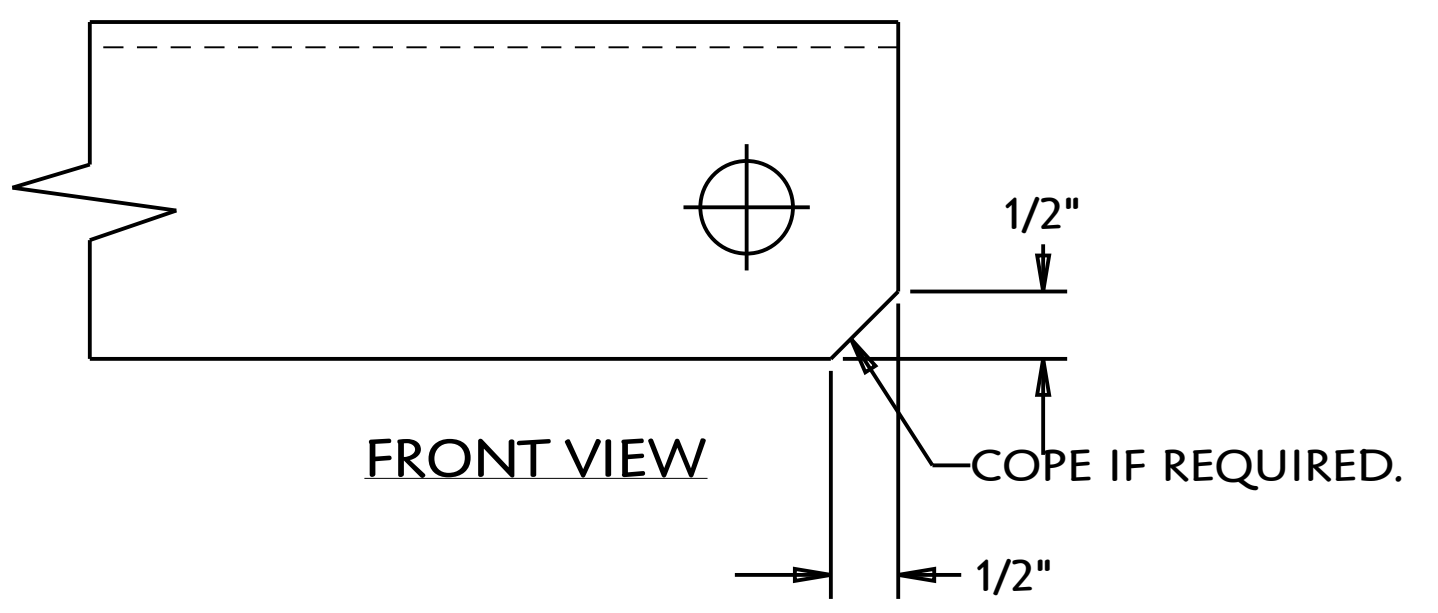
REVISION HISTORY			
REV	DESCRIPTION	DATE	APPROVED
A	INITIAL RELEASE	X	X



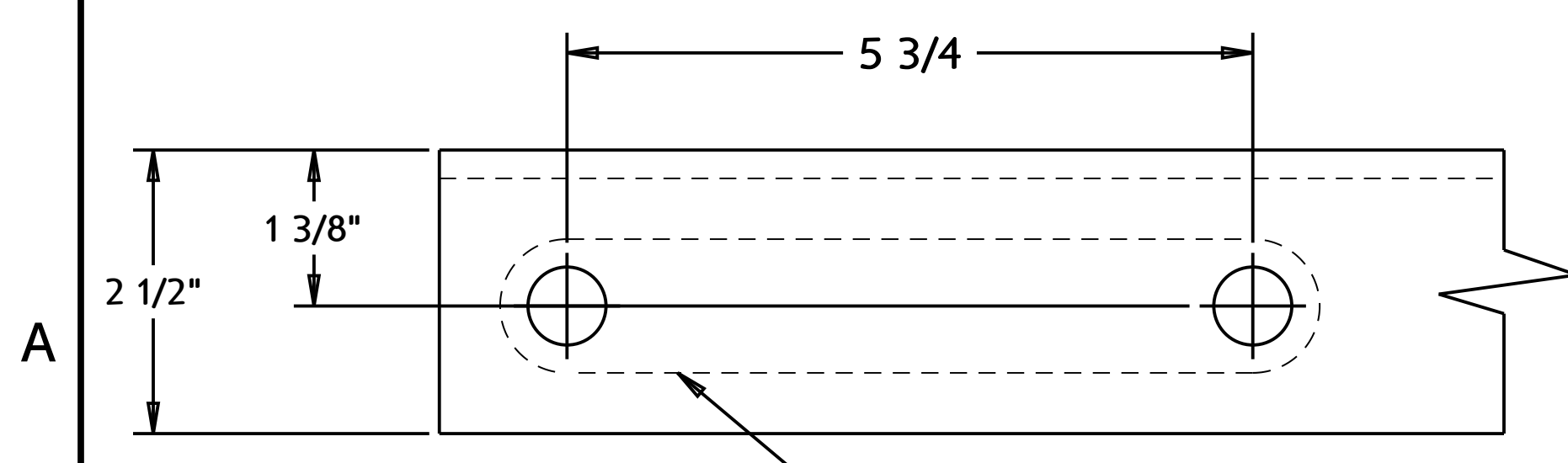
PLAN VIEW



SECTION "A-A"



FRONT VIEW  
TOP VIEW  
DETAIL "B"



DETAIL "C"

NOTES:  
1. HOT-DIPPED GALVANIZED PER ASTM A123.

VZWSMART-PLK8 (SUPPORT BRACING KIT)					
ITEM NO.	QTY.	PART NO.	DESCRIPTION	SHEET #	WT
1	2	L252525-8	L 2 1/2" X 2 1/2" X 1/4" X 8'-0" A36	PLK8-F3	67
2	1	PL625-72512	PL 5/8" X 0-7 1/4" X 1'-0" A36	PLK8-F1	16.25
3	1	PL625-7259	PL 5/8" X 0-7 1/4" X 0'-9" A36	PLK8-F2	12.36
4	2	AL-333	L 3" X 3" X 1/4" X 3" A36	PLK8-F3	2.5
5	2	VCP	PL 1/2" X 2" X 8 5/8" A36 BENT PLATE	PLK8-F4	4.8
6	4	---	THREADED ROD 5/8" DIA. X 1'-6" F1554-36 HDG	---	---
7	4	---	THREADED ROD 5/8" DIA. X 10" F1554-36 HDG	---	---
8	2	---	BOLT 5/8" X 2 1/4" A325	---	---
9	2	---	BOLT 5/8" X 1 3/4" A325	---	---
10	20	FW-625	5/8" HDG USS FLAT WASHER	---	---
11	20	LW-625	5/8" HDG LOCK WASHER	---	---
12	20	NUT-625	5/8" HDG HEX NUT	---	---

GALVANIZED WT

THIRD ANGLE PROJECTION			METROSITE FABRICATORS LLC 180 INDUSTRIAL PARK BLVD. COMMERCE GA 30529
UNLESS OTHERWISE SPECIFIED DIMENSIONS ARE IN INCHES AND INCLUDE FINISH			
STANDARD SHEET TOLERANCES			
DECIMALS	ANGLES	APPROVAL / SIGNATURES	
.X ± 0.1	± °	DRAWN BY XXX	DATE May-26-20
.XX ± 0.02	FRACTIONS ± 1/32	REVIEWED XXX	DATE May-26-20
XXX ± 0.005		APPROVED XXX	DATE May-26-20
CONFIDENTIAL ALL INFORMATION ON THIS DOCUMENT IS PROPERTY OF METROSITE FABRICATORS LLC		TITLE <b>SUPPORT RAIL BRACING KIT</b>	
UNLESS OTHERWISE SPECIFIED DIMENSIONS ARE IN INCHES AND INCLUDE FINISH		SHEET 1 OF 1	