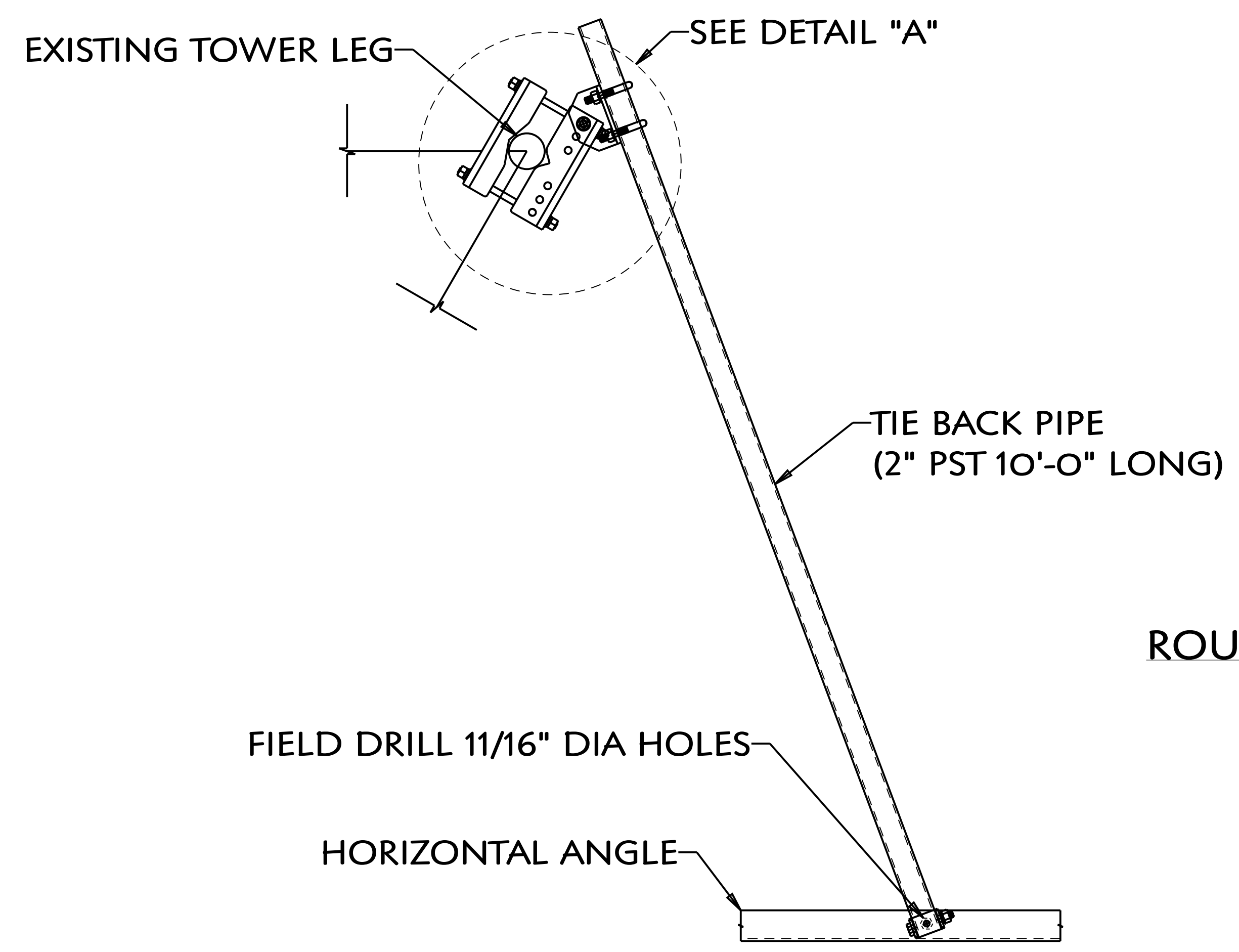
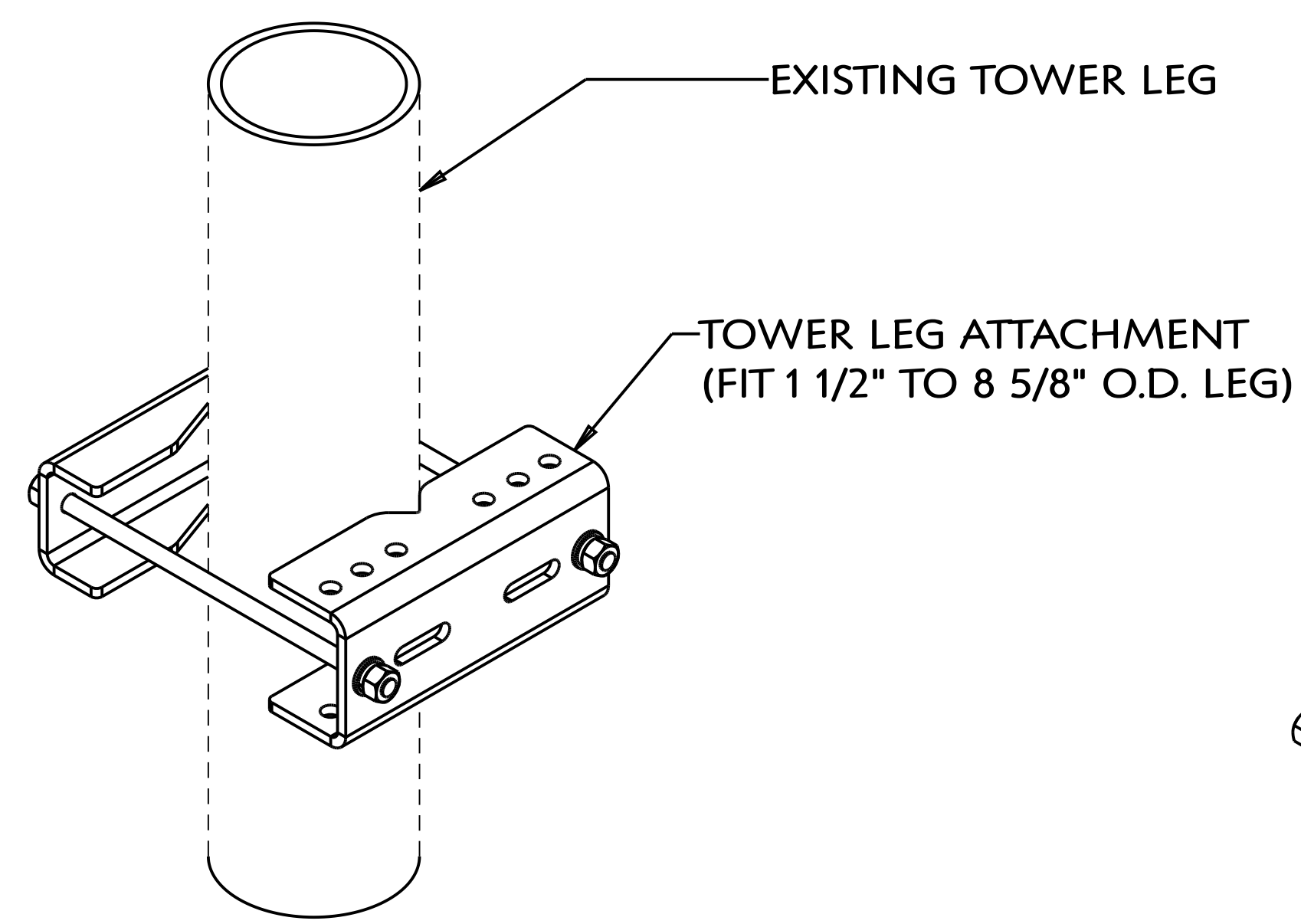


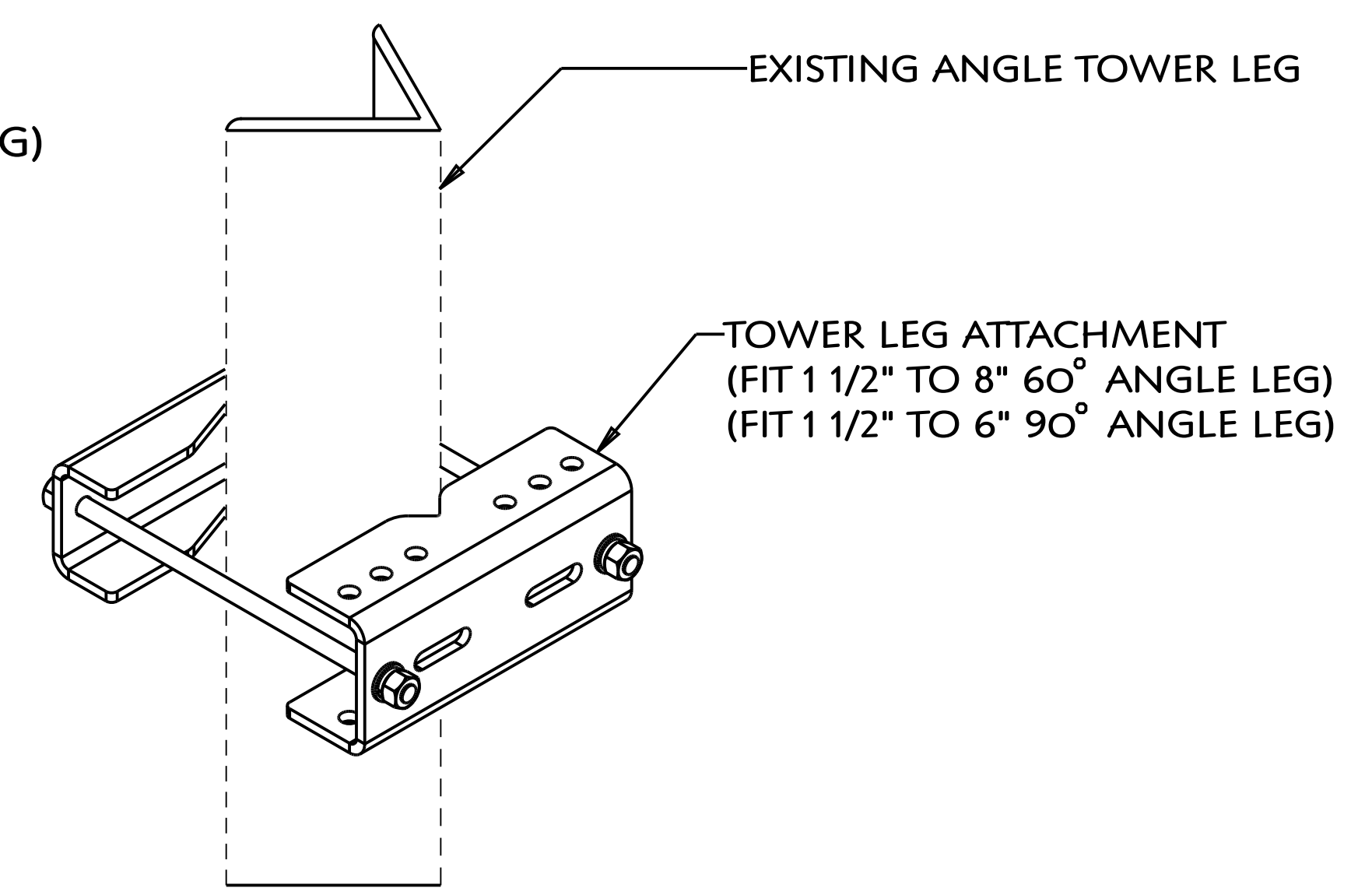
REVISION HISTORY			
REV	DESCRIPTION	DATE	APPROVED
A	INITIAL RELEASE	X	X



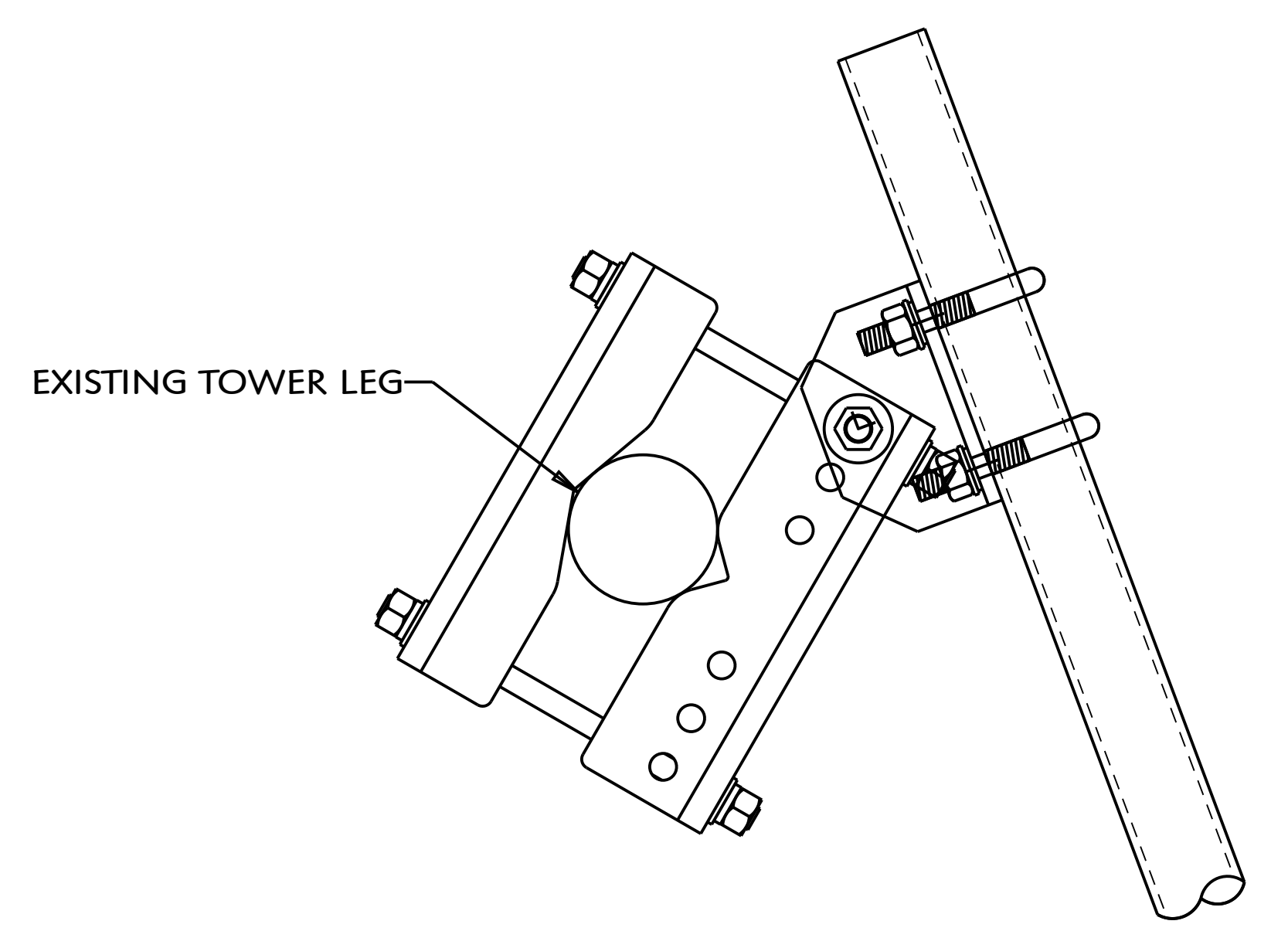
PLAN VIEW
TIE BACK ASSEMBLY



ROUND TOWER LEG ATTACHMENT DETAIL



ANGLE TOWER LEG ATTACHMENT DETAIL



DETAIL "A"

VZWSMART-SFK1 (TIE BACK ASSEMBLY)					
ITEM NO.	QTY.	PART NO.	DESCRIPTION	SHEET #	WT
1	1	PST2375-10	2" PST (2.375" O.D. X 0.154" THK) X 10'-0" A53 GR-B 35KSI	SFK1-F1	
2	1	BP825-12	PL 3/8" X 8 1/4" X 1'-0" A36 BENT PLATE	SFK1-F2	
3	1	BP11125-12	PL 3/8" X 11 1/8" X 1'-0" A36 BENT PLATE	SFK1-F3	
4	1	BP6-9375	PL 3/8" X 6" X 9 3/8" A36 BENT PLATE	SFK1-F4	
5	1	BP2-875	PL 1/4" X 2" X 8 3/4" A36 BENT PLATE	SFK1-F4	
6	2	MSO2-625-300-500	RU-BOLT 5/8" X 3" I.W. X 5" I.L. A36 (OR EQUIV.)	RBC-1	
7	2	---	THREADED ROD 5/8" DIA. X 1'-6" F1554-36 HDG	---	0
8	2	---	BOLT 5/8" X 2" A325	---	0
9	1	---	BOLT 5/8" X 4 1/4" A325	---	0
10	11	FW-625	5/8" HDG USS FLAT WASHER	---	
11	11	LW-625	5/8" HDG LOCK WASHER	---	
12	11	NUT-625	5/8" HDG HEX NUT	---	
GALVANIZED WT					

NOTES:
1. HOT-DIPPED GALVANIZED PER ASTM A123.

THIRD ANGLE PROJECTION						METROSITE FABRICATORS LLC 180 INDUSTRIAL PARK BLVD. COMMERCE GA 30529	
UNLESS OTHERWISE SPECIFIED DIMENSIONS ARE IN INCHES AND INCLUDE FINISH STANDARD SHEET TOLERANCES DECIMALS .X ± 0.1 .XX ± 0.02 .XXX ± 0.005 ANGLES ± 1° FRACTIONS ± 1/32				CONFIDENTIAL ALL INFORMATION ON THIS DOCUMENT IS PROPERTY OF METROSITE FABRICATORS LLC		TITLE TIE BACK ASSEMBLY	
APPROVAL / SIGNATURES DATE DRAWN BY XXX May-26-20 REVIEWED XXX May-26-20 APPROVED XXX May-26-20		SHEET DWG NO D		SHEET 1 OF 1 SFK1		SCALE	