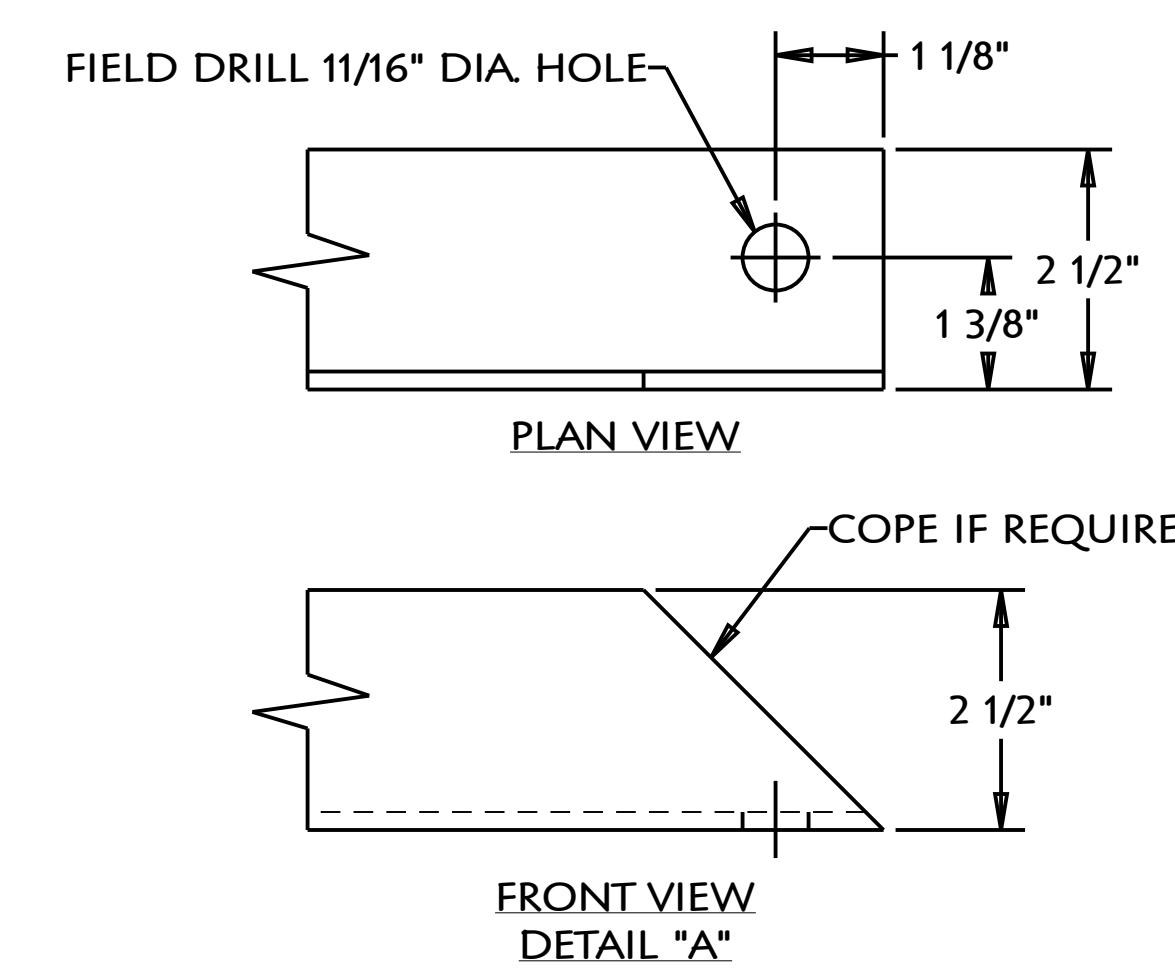
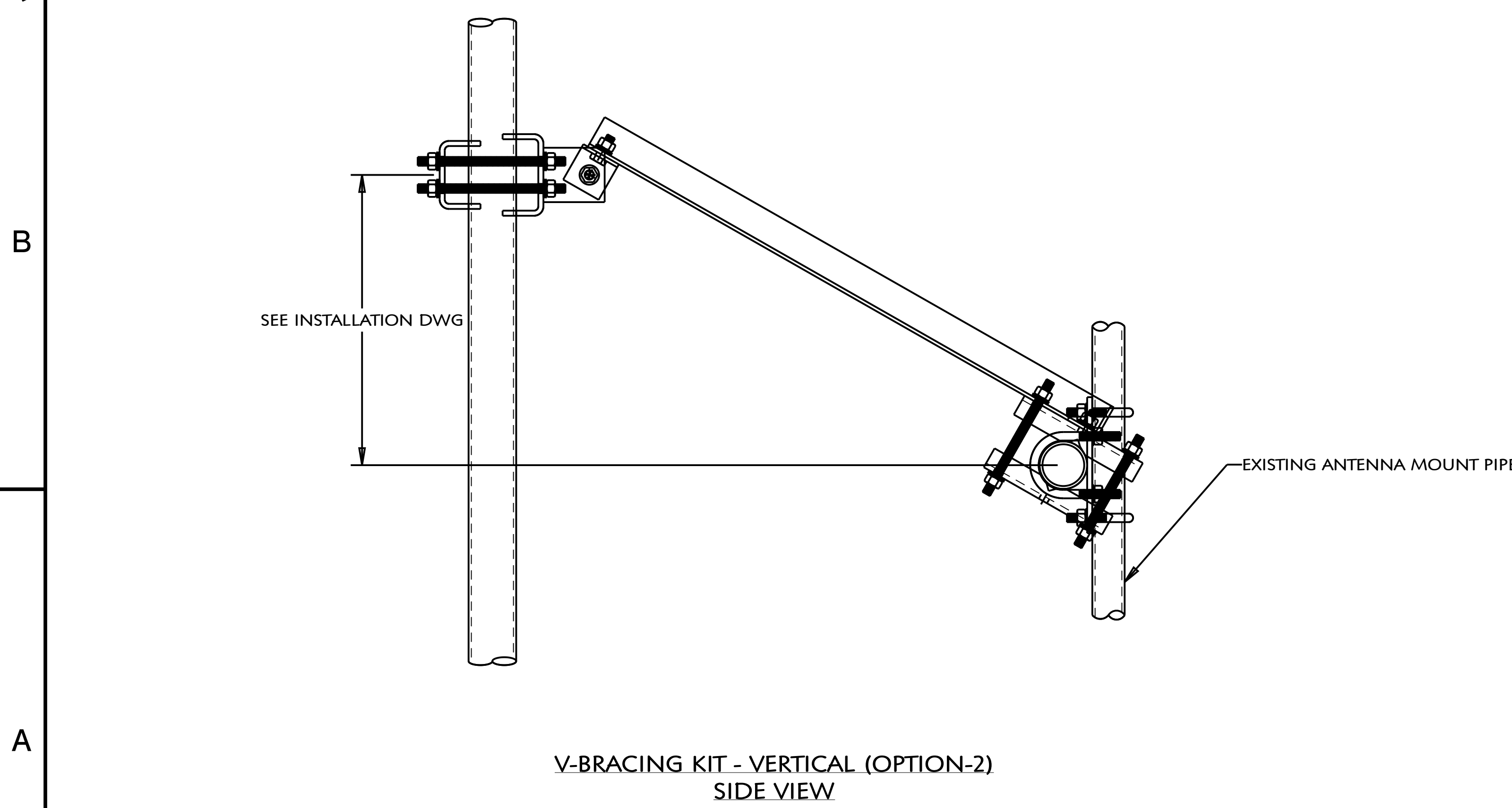
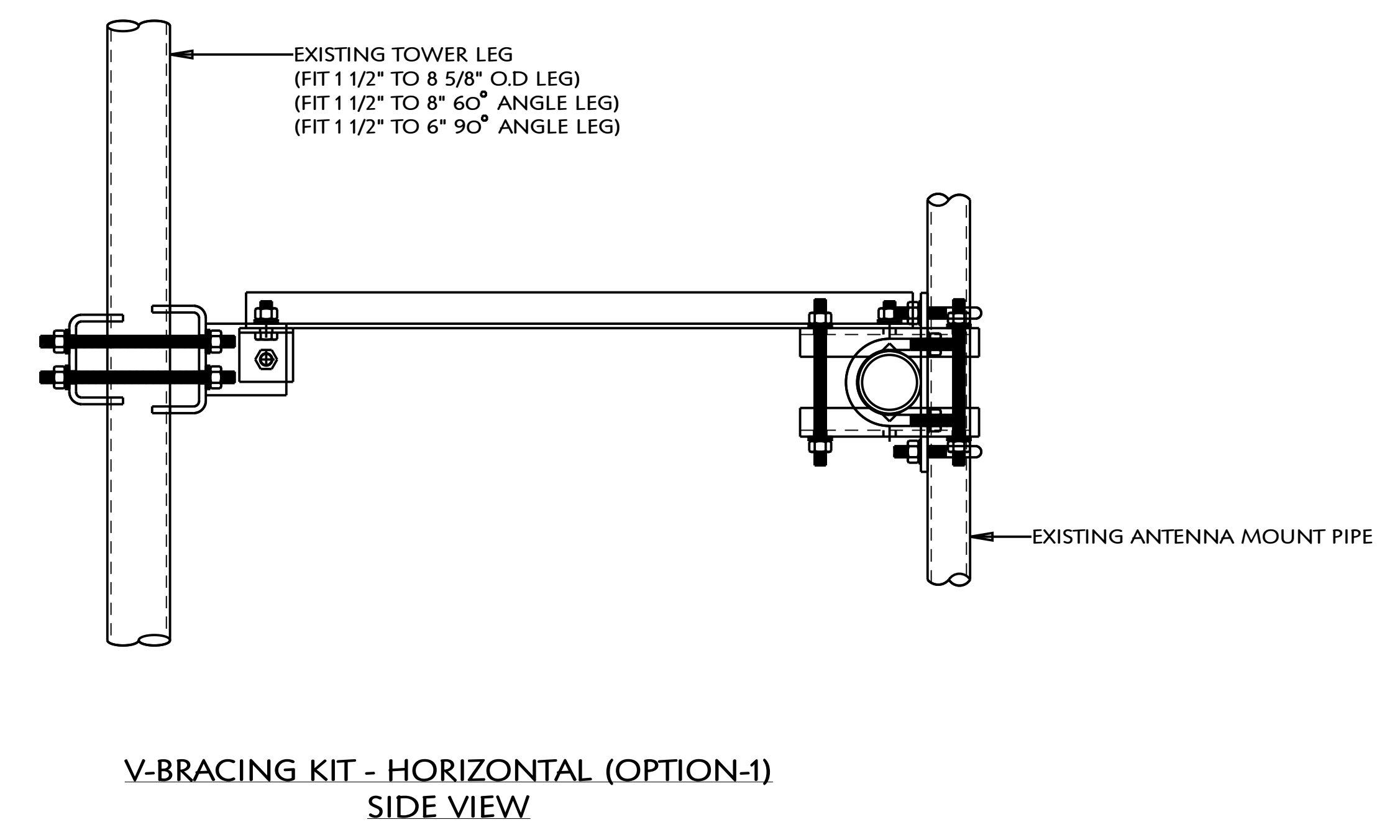
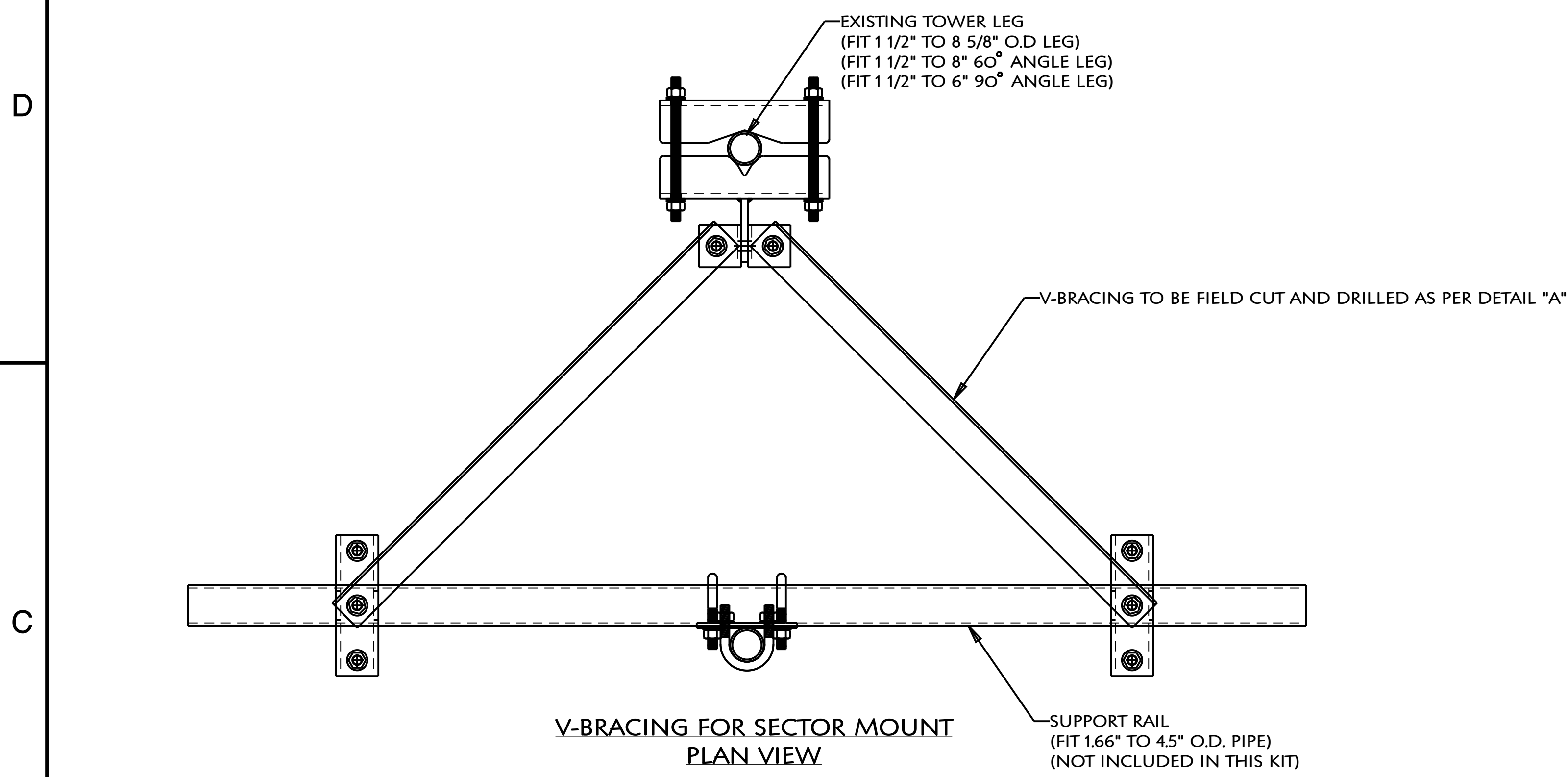


REVISION HISTORY			
REV	DESCRIPTION	DATE	APPROVED
A	INITIAL RELEASE	X	X



VZWSMART-SFK3 (V-BRACING KIT)					
ITEM NO.	QTY.	PART NO.	DESCRIPTION	SHEET #	WT
1	1	BP9625-12	PL 3/8" X 9 5/8" X 1'-0" A36 BENT PLATE	VBSM-F1	
2	1	BRKW-VBSM	WELDMENT BRACKET	VBSM-F3	
3	2	L252525-8	L 2 1/2" X 2 1/2" X 1/4" X 8'-0" A36	VBSM-F5	
4	4	BP6875-10	PL 3/8" X 6 7/8" X 10" A36 BENT PLATE	VBSM-F2	
5	2	AL-333	L 3" X 3" X 1/4" X 3" A36	VBSM-F2	
6	4	---	THREADED ROD 5/8" DIA X 1'-6" F1554-36 HDG	---	---
7	4	---	THREADED ROD 5/8" DIA X 10" F1554-36 HDG	---	---
8	1	---	BOLT 5/8" X 2 1/4" A325	---	---
9	2	---	BOLT 5/8" X 2" A325	---	---
10	2	---	BOLT 5/8" X 1 3/4" A325	---	---
11	21	FW-625	5/8" HDG USS FLAT WASHER	---	---
12	21	LW-625	5/8" HDG LOCK WASHER	---	---
13	21	NUT-625	5/8" HDG HEX NUT	---	---

GALVANIZED WT

NOTES:
 1. HOT-DIPPED GALVANIZED PER ASTM A123.

THIRD ANGLE PROJECTION			METROSITE FABRICATORS LLC 180 INDUSTRIAL PARK BLVD. COMMERCE GA 30529
UNLESS OTHERWISE SPECIFIED DIMENSIONS ARE IN INCHES AND INCLUDE FINISH. STANDARD SHEET TOLERANCES: DECIMALS: .X ± 0.1, .XX ± 0.02, .XXX ± 0.005 ANGLES: ± 1°, FRACTIONS: ± 1/32			
CONFIDENTIAL ALL INFORMATION ON THIS DOCUMENT IS PROPERTY OF METROSITE FABRICATORS LLC		V-BRACING FOR SECTOR MOUNT	
APPROVAL / SIGNATURES DRAWN BY: XXX REVIEWED: XXX APPROVED: XXX	DATE May-26-20 May-26-20 May-26-20	TITLE V-BRACING FOR SECTOR MOUNT	SHEET 1 OF 1