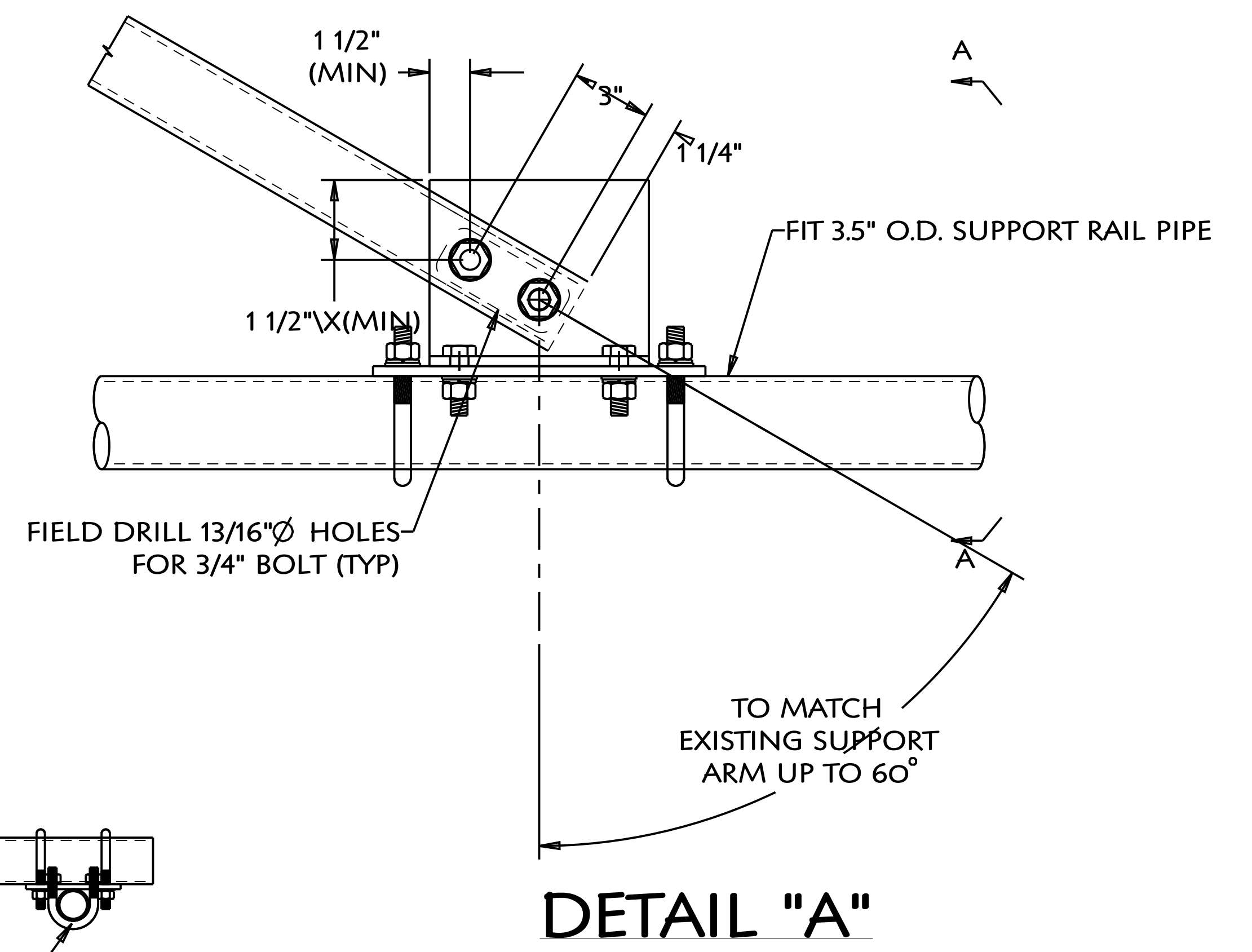
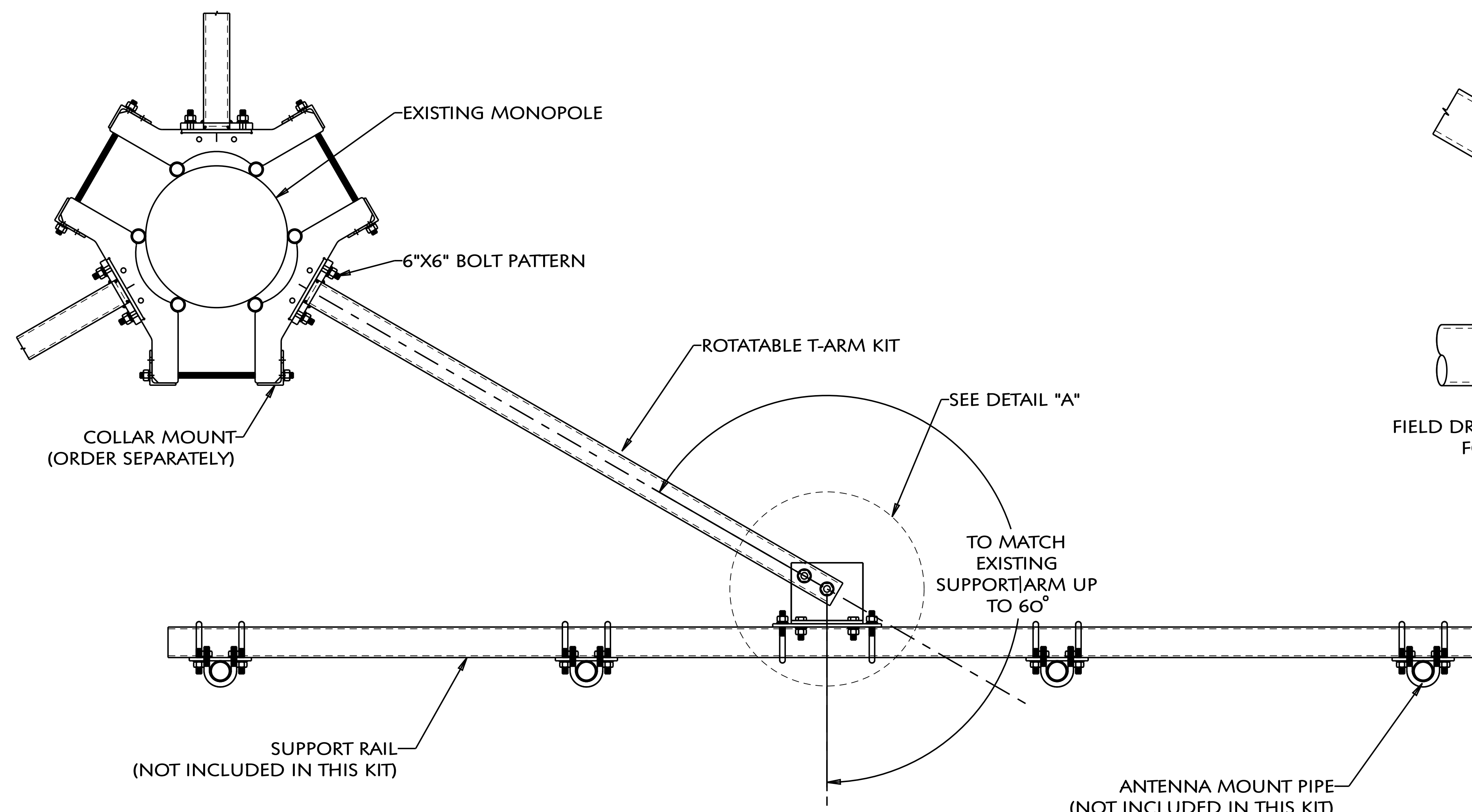
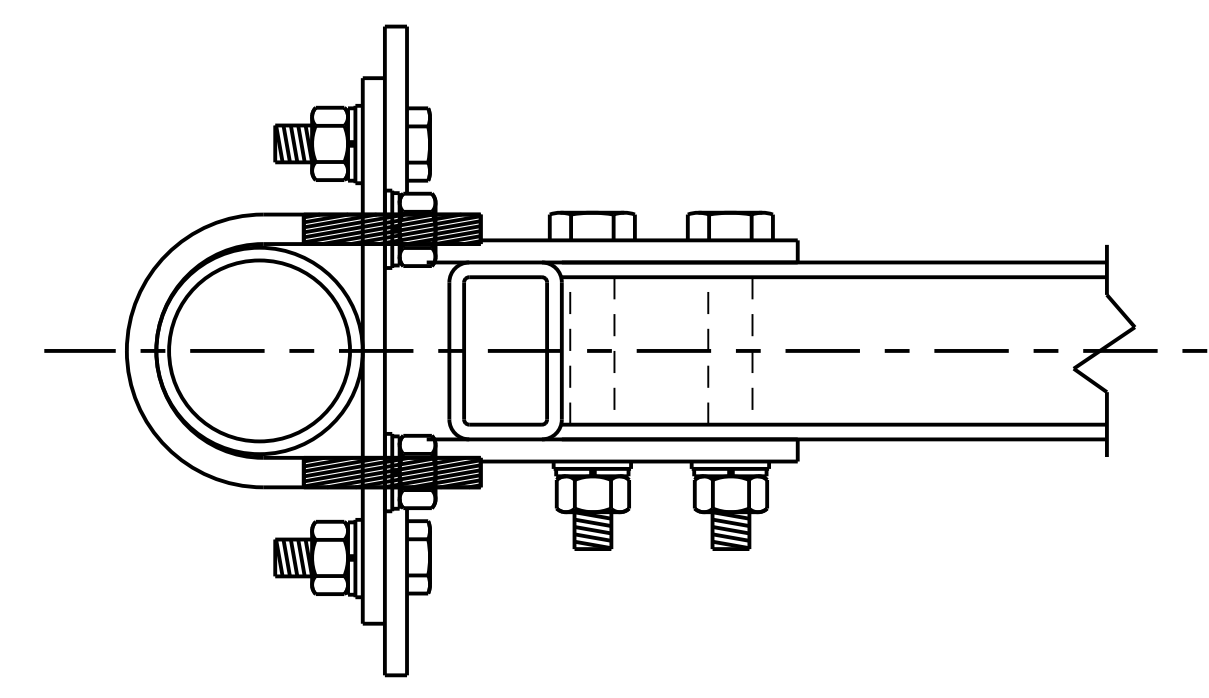


DWG NO	SFK4	SH	1	REV	
REVISION HISTORY					
REV	DESCRIPTION	DATE	APPROVED		
A	INITIAL RELEASE	X	X		



**PLAN VIEW
T-ARM KIT**



SECTION "A-A"

VZWSMART-SFK4 (T-ARM KIT)					
ITEM NO.	QTY.	PART NO.	DESCRIPTION	SHEET #	WT
1	1	RO-TAW-6	T-ARM WELDMENT	SFK4-F1	
2	2	BP825-94375	PL 3/8" X 8 1/4" X 9 7/16" A36 BEND PLATE	SFK4-F2	
3	1	PL375-92512025	PL 3/8" X 9 1/4" X 1'-0 1/2" A36	SFK4-F3	
4	4	---	BOLT 5/8" X 2 1/4" A325	---	
5	4	---	BOLT 5/8" X 2" A325	---	
6	2	---	BOLT 3/4" X 5 1/4" A325	---	
7	2	MSO2-625-3625-600	RU-BOLT 5/8" X 3 5/8" I.W. X 6" I.L. A36 (OR EQUIV.)	RBC-1	
8	12	FW-625	5/8" HDG USS FLAT WASHER	---	
9	12	LW-625	5/8" HDG LOCK WASHER	---	
10	12	NUT-625	5/8" HDG HEX NUT	---	
11	2	FW-75	3/4" HDG USS FLAT WASHER	---	
12	2	LW-75	3/4" HDG LOCK WASHER	---	
13	2	NUT-75	3/4" HDG HEX NUT	---	

GALVANIZED WT

NOTES:
1. HOT-DIPPED GALVANIZED PER ASTM A123.

THIRD ANGLE PROJECTION			METROSITE FABRICATORS LLC 180 INDUSTRIAL PARK BLVD. COMMERCE GA 30529
T-ARM KIT			
UNLESS OTHERWISE SPECIFIED DIMENSIONS ARE IN INCHES AND INCLUDE FINISH STANDARD SHEET TOLERANCES DECIMALS ± 0.1 .XX ± 0.02 XXX ± 0.005		CONFIDENTIAL ALL INFORMATION ON THIS DOCUMENT IS PROPERTY OF METROSITE FABRICATORS LLC	
APPROVAL / SIGNATURES DATE May-26-20	DRAWN BY XXX	TITLE T-ARM KIT	SHEET # 1 OF 1
APPROVED XXX	REVIEWED XXX	SIZE D	DWG NO SFK4
SCALING DRAWING SCALE		SHEET 1 OF 1	